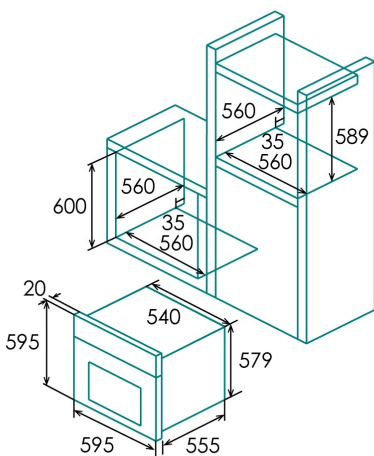
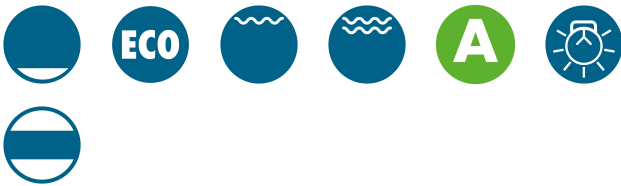




AMS 5001 X

Cod. 07001406

EAN 8422248376211



GENERAL INFORMATION

EAN/UPC	8422248376211
Subfamily	Static

Product sheet

Energy Efficiency Index (EEI)	95,2
Energy efficiency class	A
Energy consumption in conventional mode (kWh/cycle)	0,79
Heat source	Electricity
Number of cavities	1
Cavity volume (L)	75

Controls

Number of functions	3
Minimum temperature [°C]	50
Maximum temperature [°C]	250

Characteristics

Enamel	Easy cleaning Nclean enamel
Removable inner glass	√
Number of light bulbs	15
Bulb power [W]	1
Levels	5

Safety

Cooling fan	√
-------------	---

Electrical connection

Nominal voltage (V)	220-240
Nominal frequency (Hz)	50

Accessories

Flat tray	√
Grill	√