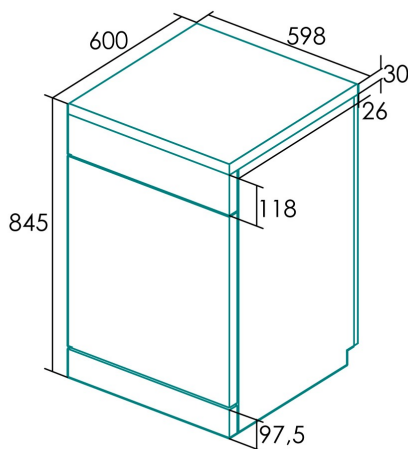




## ALV-6000 WH

Cod. 07200082

EAN 8422248376129



### GENERAL INFORMATION

|           |               |
|-----------|---------------|
| EAN/UPC   | 8422248376129 |
| Subfamily | Freestanding  |

### Power connection

|                         |         |
|-------------------------|---------|
| Nominal voltage (V)     | 220-240 |
| Nominal frequency (Hz)  | 50      |
| Nominal input power (W) | 2100    |
| Power cord length (m)   | 1500    |
| Plug type               | Type F  |

### Product sheet according to EU Regulation 2019/2022 - 2019/2017

|                            |               |
|----------------------------|---------------|
| Default placement settings | 12            |
| Energy efficiency class    | E             |
| Noise level [dBA]          | 52            |
| Installation type          | Free Standing |

### Control panel

|                             |                    |
|-----------------------------|--------------------|
| Control type                | Soft Touch Buttons |
| Display                     | No                 |
| Salt control indicator      | √                  |
| Rinse aid control indicator | √                  |
| Start delay                 | No                 |
| Remaining time indicator    | -                  |
| Start/Pause                 | √                  |

### Programmes and functions

|                                |             |
|--------------------------------|-------------|
| Number of programmes           | 4           |
| Programme 1 - Name             | Intensive   |
| Programme 1 - Temperature (°C) | 65          |
| Programme 1 - Duration (mins.) | 205         |
| Programme 2 - Name             | Eco         |
| Programme 2 - Temperature (°C) | 45          |
| Programme 2 - Duration (mins.) | 230         |
| Programme 3 - Name             | Quick 30'   |
| Programme 3 - Temperature (°C) | 50          |
| Programme 3 - Duration (mins.) | 30          |
| Programme 4 - Name             | Express 90' |
| Programme 4 - Temperature (°C) | 50          |
| Programme 4 - Duration (mins.) | 90          |

### Power and water connection

|                                |         |
|--------------------------------|---------|
| Nominal voltage (V)            | 220-240 |
| Nominal frequency (Hz)         | 50      |
| Nominal input power (W)        | 2100    |
| Power cord length (m)          | 1500    |
| Plug type                      | Type F  |
| Inlet water hose length (m)    | 1500    |
| Drainage water hose length (m) | 1614    |

### Installation

|                     |     |
|---------------------|-----|
| Width (mm)          | 598 |
| Min. height (mm)    | 820 |
| Max. height (mm)    | 845 |
| Depth (mm)          | 600 |
| Adjustable height   | √   |
| Inner height (mm)   | 820 |
| Built-in depth (mm) | 600 |
| Sliding door        | -   |