

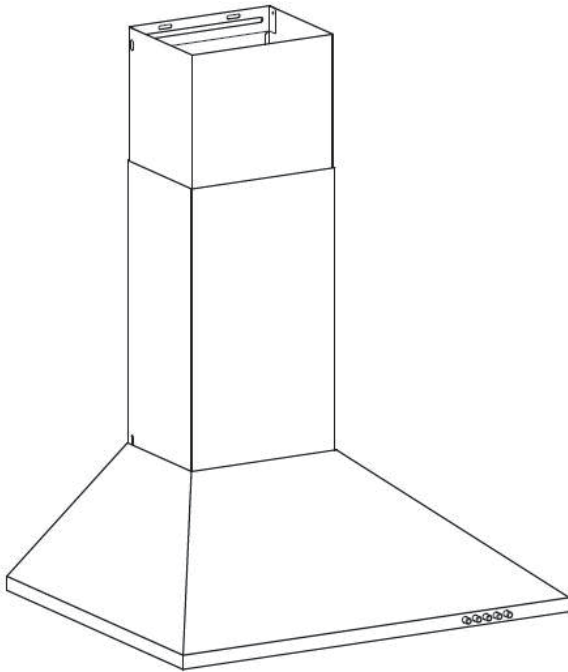
Apelson



- EN** INSTRUCTIONS FOR USE
- ES** MANUAL DE INSTRUCCIONES
- FR** MANUEL D'UTILISATION
- PT** MANUAL DE INSTRUÇÕES
- DE** GEBRAUCHSANWEISUNG

Cooker Hood

Instruction Manual



Content

1.....	Safety instructions
2.....	Installation
3.....	Start using your cooker hood
4.....	Troubleshooting
5.....	Maintenance and cleaning
6.....	Environment protection

SAFETY INSTRUCTIONS

This manual explains the proper installation and use of your cooker hood, please read it carefully before using even if you are familiar with the product. The manual should be kept in a safe place for future reference.

Never to do:

- Do not try to use the cooker hood without the grease filters or if the filters are excessively greasy!
- Do not install above a cooker with a high level grill.
- Do not leave frying pans unattended during use because overheated fats or oils might catch fire.
- Never leave naked flames under the cooker hood.



- If the cooker hood is damaged, do not attempt to use.
- Do not flambé under the cooker hood.
- CAUTION: Accessible parts may become hot when used with cooking appliances.
- The minimum distance between the supporting surface for the cooking vessels on the hob and the lowest part of the cooker hood. (When the cooker hood is located above a gas appliance, this distance shall be at least 65 cm)
- The air must not be discharged into a flue that is used for exhausting fumes from

appliances burning gas or other fuels. Cooker hoods and other cooking fume extractors may adversely affect the safe operation of appliances burning gas or other fuels (including those in other rooms) due to back flow of combustion gases. These gases can potentially result in carbon monoxide poisoning. After installation of a cooker hood or other cooking fume extractor, the operation of open flued gas appliances should be tested by a competent person to ensure that back flow of combustion gases does not occur.



Always to do:

- Important! Always switch off the electricity

supply at the mains during installation and maintenance such as light bulb replacement.

- The cooker hood must be installed in accordance with the installation instructions and all measurements followed.
- All installation work must be carried out by a competent person or qualified electrician.
- Please dispose of the packing material carefully. Children are vulnerable to it.
- Pay attention to the sharp edges inside the cooker hood especially during installation and cleaning.
- Make sure the ducting has no bends sharper than 90 degrees as this will reduce the efficiency of the cooker hood.
- Warning: Failure to install the screws or fixing device in accordance with these

instructions may result in electrical hazards

- **Warning:** Before obtaining access to terminals, all supply circuits must be disconnected.
- If the voltage rating of the lamp is less than the rated voltage of the appliance, the voltage rating of the lamp shall also be marked on or near the lamp holder.

Always to do:

- Always put lids on pots and pans when cooking on a gas cooker.
- When in extraction mode, air in the room is being removed by the cooker hood. Please make sure that proper ventilation measures are being observed. The cooker hood removes odours from room but not steam.
- There shall be adequate ventilation of the room when the cooker hood is used at the same time

as appliances burning gas or other fuels.

- Cooker hood is for domestic use only.



- If the supply cord is damaged, it must be replaced by the manufacturer, its service agent or similarly qualified persons in order to avoid a hazard.
- This appliance is not intended for use by persons (including children) with reduced physical, sensory or mental capabilities, or lack of experience and knowledge, unless they have been given supervision or instruction concerning use of the appliance by a person responsible for their safety
- Children should be supervised to ensure

that they do not play with the appliance.

- This appliance can be used by children aged from 8 years and above and persons with reduced physical, sensory or mental capabilities or lack of experience and knowledge if they have been given supervision or instruction concerning use of the appliance in a safe way and understand the hazards involved. Children shall not play with the appliance. Cleaning and user maintenance shall not be made by children without supervision.



Always to do:

- **Caution:** The appliance and its accessible parts can become hot during

operation. Be careful to avoid touching the heating elements. Children younger than 8 years old should stay away unless they are under permanent supervision.

- There is a fire risk if cleaning is not carried out in accordance with the instructions
- Regulations concerning the discharge of air have to be fulfilled.
- Clean your appliance periodically by following the method given in the chapter MAINTENANCE.
- For safety reason, please use only the same size of fixing or mounting screw which are recommended in this instruction manual.
- Regarding the details about the method and frequency of cleaning, please refer to maintenance and cleaning section in the instruction manual.

- Regarding the information about how the appliance is to be fixed to its support, please refer to Operation section, the Installation procedures in this manual.
- Cleaning and user maintenance shall not be made by children without supervision.
- When the cooker hood and appliances supplied with energy other than electricity are

simultaneously in operation, the negative pressure in the room must not exceed 4 Pa (4×10^{-5} bar).

- **WARNING:** Danger of fire: do not store items on the cooking surfaces.
- A steam cleaner is not to be used.
- **NEVER** try to extinguish a fire with water, but switch off the appliance and then cover flame e.g. with a lid or a fire blanket.

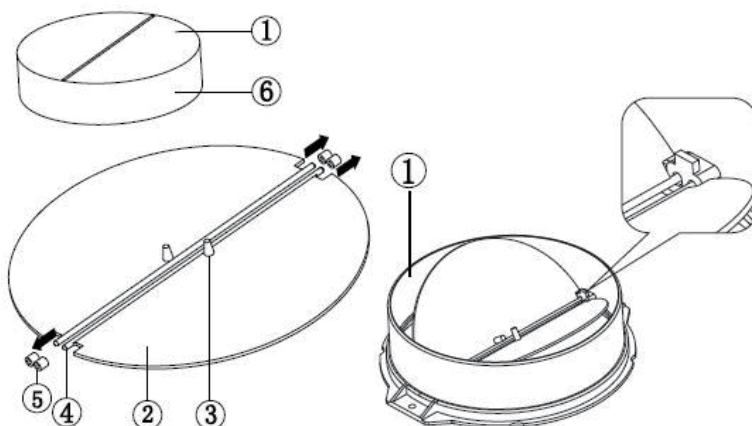
INSTALLATION (VENT OUTSIDE)

MOUNTING OF THE V-FLAP

If the cooker hood does not have an assembled V-flap 1, you should mount the half-parts to its body. The images only show an example of how to mount the V-flap, because the outlet may vary according to different models and configurations.

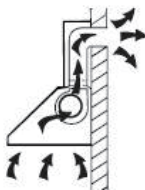
To mount the V-flap 1 you should:

- Mount two half-parts 2 into the body 6
- the pin 3 should be top oriented;
- the axis 4 should be inserted into the holes 5 on the body;
- repeat all the operations for the 2nd half-part



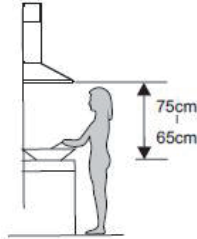
INSTALLATION

If you have an outlet to the outside, your cooker hood can be connected as below picture by means of an extraction duct (enamel, aluminum, flexible pipe or non-flammable material with an interior diameter of 150mm)



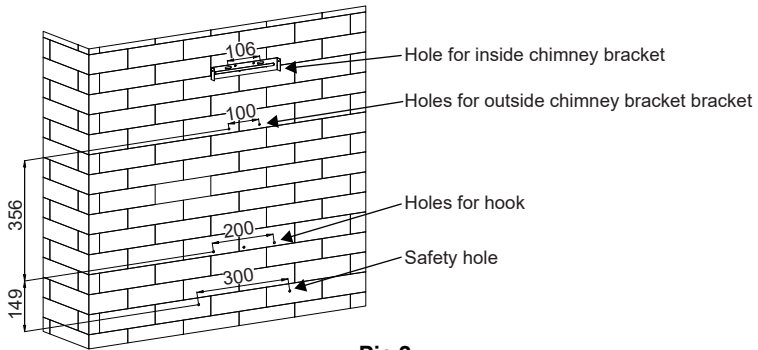
1. Before installation, turn the unit off.

- The cooker hood should be placed at a distance of 65~75cm above the cooking surface for best effect.



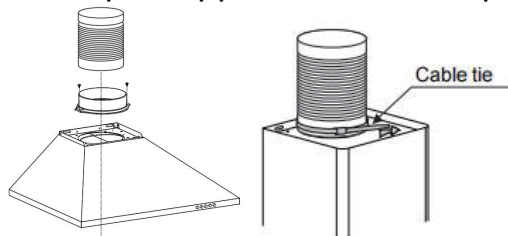
Pic 1

- Drill 5 $\varnothing 8$ mm holes on a suitable place to accommodate the hook and inside chimney bracket once the installation height is fixed, and keep it in line. The fixed position of the inside chimney bracket is the highest place of chimney. See pic 2.
- Screw and tighten the hook onto the wall with the 3pcs screws (4 x 40 mm) and wall plugs provided. Then use 2 pcs ST4*40mm screws to fix the inside chimney bracket. See pic 2.



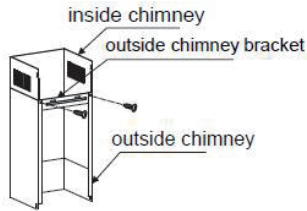
Pic 2

- Install air outlet onto the cooker hood by 2pcs screws and expansion pipe by cable tie. See pic 3. **Note: the expansion pipe is not included in the product.**



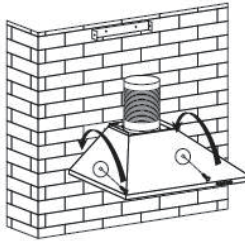
Pic 3

6. Fix the outside chimney bracket on the outside chimney, and be sure that the inside chimney can be adjusted the height in it freely. See pic 4.



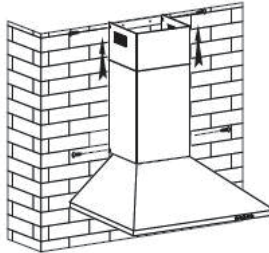
Pic 4

7. Hang the appliance onto the hook and fix the appliance by the 2pcs safety screws (4mm x 30mm). Note: The two safety vents are positioned on the back housing, with diameter of 6mm. See pic 5.



Pic 5

8. Adjust the height of the inside chimney to the position of the inside chimney bracket and fix on it by screw. See pic 6.



Pic 6

9. Before usage, read all the instructions and make sure that the power rating of the cooker hood matches the power rating of the supply.

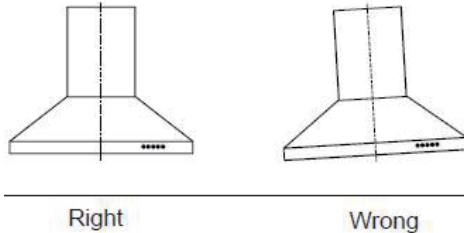
HINTS FOR EXHAUST DUCT INSTALLATION

The following rules must be strictly followed to obtain optimal air extraction:

- Keep expansion pipe short and straight.
- Do not reduce the size or restrict the expansion pipe.
- When using the expansion pipe always install the pipe pulled taut to minimize pressure loss.
- Failure to observe these basic instructions will reduce the performance and

increase noise levels of the cooker hood.

- Any installation work must be carried out by a qualified electrician or competent person.
- Do not connect the ducting system of the hood to any existing ventilation system which is being used for any other appliance ,such as warmer tube, gas tube , hot wind tube.
- The angle of the bend of the expansion pipe should not be less than 120°; you must direct the pipe horizontally, or, alternatively, the pipe should go up from the initial point and should be led to an outer wall.
- After the installation ,make sure that the cooker hood is level to avoid grease collection at on end.
- Ensure the expansion pipe selected for installation complies with relevant standards and is fire retardant.



Electrical Installation

All installation must be carried out by a competent person or qualified electrician. Before connecting the mains supply ensure that the mains voltage corresponds to the voltage on the rating plate.

Direct Connection

The appliance must be connected directly to the mains using an omnipolar circuit breaker with a

minimum opening of 3mm between the contacts.

The installer must ensure that the correct electrical connection has been made and that it complies with the wiring diagram.

The cable must not be bent or compressed.

Regularly check the power plug and power cord for damage. If the supply cord is damaged, it must be replaced by a special cord or assembly available from the manufacturer or its service agent.

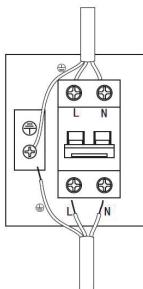
WARNING: This is a Class I appliance and **MUST** be earthed


This appliance is supplied with a 3 core mains cable coloured as follows:

Brown = L or Live

Blue = N or Neutral

Green and Yellow = E or Earth ⊕

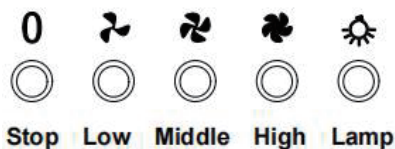


<p>WARNING:</p> 	<ul style="list-style-type: none"> ➤ For safety reason, please use only the same size of fixing or mounting screws which are recommended in this instruction manual. ➤ Failure to install the screws or fixing device in accordance with these instructions may result in electrical hazards.
--	---

Start Using Your Cooker Hood

Push button

- 1) Push the stop button, and the motor will stop.
- 2) Push the low button, and the motor will run at low speed.
- 3) Push the middle button, and the motor will run at mid speed.
- 4) Push the high button, and the motor will run at high speed.
- 5) Push the light button and the two lights will illuminate. Push it again and the light will turn off.



TROUBLESHOOTING

Fault	Possible Cause	Solution
Light on, but motor does not work	Fan switch turned off	Select a fan switch position.
	Fan switch failed	Contact service center.
	Motor failed	Contact service center.
Light does not work, motor does not work	House fuses blown	Reset/Replace fuses.
	Mains power cable is loose or disconnected	Refit mains power cable to power outlet. Switch power outlet on.
Oil leakage	One way valve and the outlet are not tightly sealed	Take down the one way valve and seal with sealant.
	Leakage from the connection of chimney and cover	Take chimney down and seal.
Lights not working	Broken or faulty bulbs	Replace blubs as per this instruction.
Insufficient suction	The distance between the cooker hood and the gas top is too far	Refit the cooker hood to the correct distance.
The Cooker hood inclines	The fixing screw is not tight enough	Tighten the hanging screw and make it horizontal.



NOTE:

Any electrical repairs to this appliance must conform to your local, state and federal laws. Please contact the service centre if in any doubt before undertaking any of the above. Always disconnect the unit from the power source when opening the unit.

MAINTENANCE AND CLEANING

Caution:

- Before maintenance or cleaning is carried out, the cooker hood should be disconnected from the mains power supply. Ensure that the cooker hood is switched off at the wall socket.
- External surfaces are susceptible to scratches and abrasions, so please follow the cleaning instructions to ensure the best possible result is achieved without damage.

GENERAL

Cleaning and maintenance should be carried out with the appliance cold especially when cleaning. Avoid leaving alkaline or acid substances (lemon juice, vinegar etc.) on the surfaces.

STAINLESS STEEL

The stainless steel must be cleaned regularly (e.g. weekly) to ensure a long life expectancy. Dry with a clean soft cloth. A specialized stainless steel cleaning fluid may be used.

NOTE:

Ensure that wiping is done along with the grain of the stainless steel to prevent any unsightly crisscross scratching patterns from appearing.

CONTROL PANEL SURFACE

The inlay control panel can be cleaned using warm soapy water. Ensure the cloth is clean and well wrung before cleaning. Use a dry soft cloth to remove any excess moisture left after cleaning.

Important

Using neutral detergents and avoid using harsh cleaning chemicals, strong household detergents or products containing abrasives, as this will affect the appearance of the appliance and potentially remove any printing of artwork on the control panel and will void manufacturer's warranty.

GREASE MESH FILTERS

Immerse the filter in water at around 40-50° C, pour in cleaning agent, soaking for about 2-3 minutes, and then brush the filter with a soft brush. Do not apply too much pressure so as to avoid any damage to it.

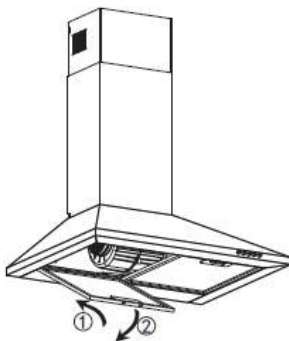
The filter can be washed in a dishwasher. Put the filter into the dishwasher, add cleaning agent, and adjust the temperature to around 60° C for washing.

All filters are made of metal, please do not use cleaning agents that have a corrosive effect on metal products when cleaning.

**NOTE:**

Please make sure the power is turned off when cleaning the appliance.

The disassembly order of filter is shown in the figure below:

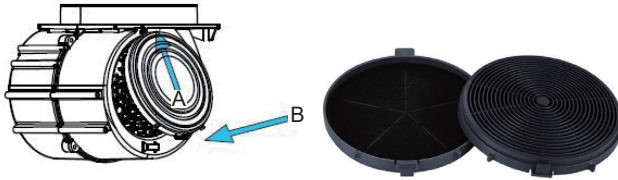
**INSTALLING GREASE MESH FILTERS**

- To install filters for the following four steps (See pic below):
 - Angle the filter into the slots at the back of the hood.
 - Push the button on the handle of the filter.
 - Release the handle once the filter fits into a resting position.
 - Repeat to install all filters.

**CARBON FILTER-not included in the product**

Activated carbon filter can be used to trap odors. Normally the activated carbon filter should be changed at three or six months according to your cooking habit. The installation procedure of activated carbon filter is as below.


- ✧ Put the pin of the carbon filter into the rectangular hole of the fan(as per the arrow A shown below)
- ✧ Push the other side of the carbon filter toward the fan to make it flat(as per the arrow B shown),and then press filter into fan.
- ✧ If you want to remove the filter, press fastener of filter and remove it by turning anticlockwise.



NOTE:

- Make sure the filter is securely locked. Otherwise, it would loosen and cause dangerous.
- When activated carbon filter attached, the suction power will be lowered.

BULB REPLACEMENT

	<p>Important :</p> <ul style="list-style-type: none"> ✧ The bulb must be replaced by the manufacturer, its service agent or similarly qualified persons. ✧ Always switch off the electricity supply before carrying out any operations on the appliance. When handling bulb, make sure it has completely cooled down before any direct contact with hands. ✧ When handling bulbs hold with a cloth or gloves to ensure perspiration does not come in contact with the bulb as this can reduce the life of the bulb.
---	---

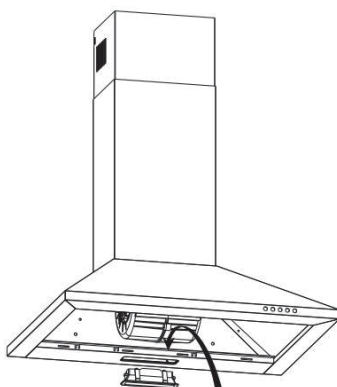
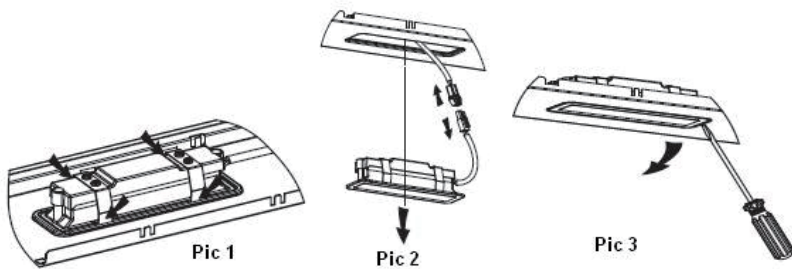
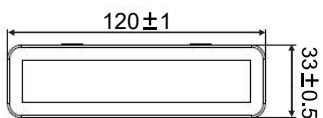
Note:

- Before Replacement light that the cooker hood can be isolated from the supply mains by means of a plug or an all-pole switch.
- Protect against danger when changing lights, such as wearing gloves.

Changing the lights:

- Remove the grease filter.
- Way 1. Use a tool or the hand to press the spring splinter of both sides of LED light to the inside, until the light is pressed out, see pic 1. Then slightly pull the light connecting wire out, and dismantle the terminal of the light connecting wire. See pic 2.
 - Way 2. Use straight screwdriver to prize up the LED light bottom edge, see pic 3, then slightly pull out the LED light and light connecting wire. See pic 2.
- Apply the reverse procedure to install the light back.
- ILCOS D code for this lamp is: DSS-1.5/65-S-120/33
 - LED modules –rectangle lamp
 - Max wattage: 1×1.5 W
 - Voltage range: DC 12V

- Dimensions:



ENVIRONMENTAL PROTECTION:



This product is marked with the symbol on the selective sorting of waste electronic equipment. This means that this product must not be disposed of with household waste but must be supported by a system of selective collection in accordance with Directive 2012/19/EU. It will then be recycled or dismantled to minimize impacts on the environment, electrical and electronic products are potentially dangerous for the environment and human health due to the presence of hazardous substances. For more information, please contact your local or regional authorities.

NOTE:

The following shows how to reduce total environmental impact (e.g. energy use) of the cooking process).

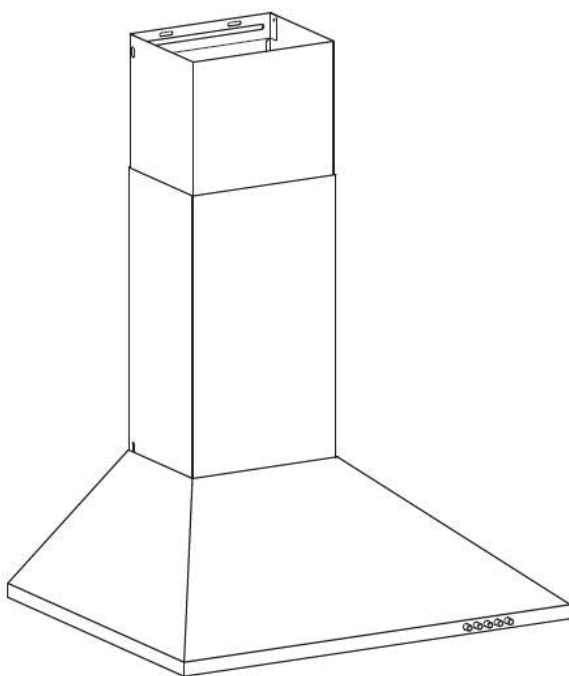
- (1) Install the cooker hood in a proper place where there is efficient ventilation.
- (2) Clean the cooker hood regularly so as not to block the airway.
- (3) Remember to switch off the cooker hood light after cooking.
- (4) Remember to switch off the cooker hood after cooking.

INFORMATION FOR DISMANTLING

Do not dismantle the appliance in a way which is not shown in the user manual. The appliance could not be dismantled by user. At the end of life, the appliance should not be disposed of with household waste. Check with your Local Authority or retainer for recycling advice.

Campana extractora

Manual de instrucciones



Índice

1.....	Instrucciones de seguridad
2.....	Instalación
3.....	Comience a utilizar su campana extractora
4.....	Resolución de problemas
5.....	Mantenimiento y limpieza
6.....	Protección del medioambiente

INSTRUCCIONES DE SEGURIDAD

En este manual, se describe la correcta instalación y uso de su campana extractora. Le rogamos que lo lea detenidamente antes de su utilización, aunque esté familiarizado con el producto. El manual debe guardarse en un lugar seguro para futuras consultas.

No hacer nunca:

- No intente utilizar la campana extractora sin los filtros de grasa o si estos están excesivamente grasientos!
- No la instale encima de una cocina con parrilla alta.
- No deje las sartenes desatendidas durante su uso porque las grasas o aceites sobrecalentados podrían incendiarse.
- No deje nunca llamas al descubierto debajo de la campana extractora.



- Si la campana extractora está dañada, no intente utilizarla.
- No flambear debajo de la campana extractora.
- **PRECAUCIÓN:** Las piezas accesibles pueden calentarse cuando se utilizan con electrodomésticos de cocina.
- Se debe respetar la distancia mínima entre la superficie de apoyo de los recipientes de cocina en la placa de cocción y la parte más baja de la campana extractora.
(Cuando la campana

extractora esté situada por encima de un aparato de gas, esta distancia deberá ser de 65 cm como mínimo).

- El aire de escape no debe descargarse en una salida de humos para electrodomésticos de gas u otros combustibles. Las campanas extractoras y otros extractores de humos de cocina pueden afectar negativamente al funcionamiento seguro de los aparatos que queman gas u otros combustibles (incluidos los de otras habitaciones) debido al reflujo de los gases de combustión. Estos gases pueden provocar una intoxicación por monóxido de carbono. Tras la instalación de una campana extractora u otro extractor de humos de cocina, el funcionamiento de los aparatos de gas

abiertos debe ser comprobado por una persona competente para garantizar que no se produzca un reflujo de los gases de combustión.



Hacer siempre:

- **Importante!** desconecte siempre la alimentación eléctrica de la red durante la instalación y el mantenimiento, como la sustitución de bombillas.
- La campana extractora debe instalarse siguiendo las instrucciones de instalación y deben respetarse todas las dimensiones.
- **Todos** los trabajos de instalación deben ser realizados por una persona competente o

un electricista cualificado.

- Elimine el material de embalaje con cuidado. Es peligroso para los niños.
- Preste atención a los bordes afilados del interior de la campana extractora, especialmente durante la instalación y la limpieza.
- Asegúrese de que el conducto no tenga codos de menos de 90 grados, ya que esto reducirá la eficacia de la campana extractora.
- Advertencia: Si no se instalan los tornillos ni el dispositivo de fijación siguiendo estas instrucciones, esto puede dar lugar a riesgos eléctricos.
- Advertencia: Antes de acceder a los terminales, deben desconectarse todos los circuitos de alimentación.

- Si la tensión nominal de la bombilla es inferior a la tensión nominal del aparato, la tensión nominal de la bombilla también deberá estar marcada en el portalámparas o cerca de este.

Hacer siempre:

- Coloque siempre tapas en las ollas y sartenes cuando cocine en una cocina de gas.
- Cuando la campana extractora está en modo de extracción, el aire de la habitación es extraído por esta. Asegúrese de que se respeten las medidas de ventilación adecuadas. La campana extractora elimina los olores de la estancia, pero no el vapor.
- Cuando la campana extractora se utilice al

mismo tiempo que aparatos de gas u otros combustibles, la estancia deberá estar suficientemente ventilada.

- La campana extractora es solo para uso doméstico.



- Si el cable de alimentación está dañado, deberá sustituirlo el fabricante, su servicio de mantenimiento u otras personas cualificadas para evitar riesgos.
- Este electrodoméstico no está diseñado para ser utilizado por personas (incluidos niños) con capacidades físicas, sensoriales o mentales reducidas o con falta de experiencia y conocimientos, a menos que sean supervisadas o

instruidas acerca del uso del electrodoméstico por una persona responsable de su seguridad.

- Los niños deben estar supervisados para garantizar que no jueguen con el electrodoméstico.
- Este electrodoméstico lo pueden utilizar niños a partir de 8 años y personas con capacidades sensoriales o mentales reducidas o con falta de experiencia y conocimientos, si cuentan con la supervisión o las instrucciones necesarias relativas al uso seguro del electrodoméstico y comprenden los peligros que este entraña. Los niños no deben jugar con el electrodoméstico. Los niños no realizarán las tareas de limpieza y mantenimiento sin supervisión.

Hacer siempre:

- **Precaución:** El aparato y sus partes accesibles pueden calentarse durante el funcionamiento. Tenga cuidado de no tocar los elementos calefactores. Los niños menores de 8 años deben mantenerse alejados salvo que se encuentren bajo una supervisión permanente.
- Existe riesgo de incendio si la limpieza no se realiza siguiendo las instrucciones.
- Deben cumplirse las normativas relativas a la evacuación de aire.
- Limpie periódicamente su aparato siguiendo el método indicado en el capítulo **MANTENIMIENTO**.
- Por motivos de seguridad, utilice únicamente tornillos de fijación o montaje del

mismo tamaño que los recomendados en este manual de instrucciones.

- Para obtener más información sobre el método y la frecuencia de limpieza, consulte la sección de mantenimiento y limpieza del manual de instrucciones.
- En cuanto a la información sobre cómo se debe fijar el electrodoméstico a su soporte, consulte en la sección Funcionamiento los procedimientos de instalación de este manual.



- Los niños no realizarán las tareas de limpieza y mantenimiento sin supervisión.
- Cuando la campana extractora y los aparatos alimentados con energía distinta de

la eléctrica estén funcionando simultáneamente, la presión negativa en la estancia no deberá superar los 4 Pa (4×10^{-5} bar).

- **ADVERTENCIA:** peligro de incendio: no almacene objetos en

las superficies de cocción.

- No debe usarse un limpiador a vapor.
- No intente **NUNCA** apagar un fuego con agua, sino apague el aparato y luego cubra la llama, por ejemplo, con una tapa o una manta ignífuga.

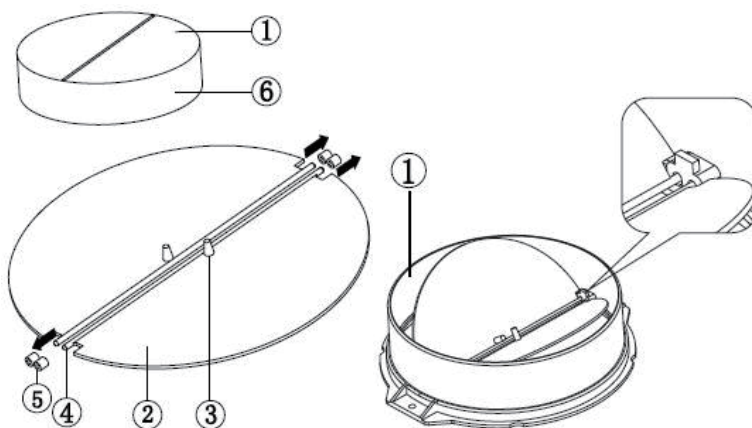
INSTALACIÓN (VENTILACIÓN EXTERIOR)

MONTAJE DE LA TAPA EN V

Si la campana extractora no tiene la tapa en V (1) montada, deberá montar las semipiezas en el cuerpo de la misma. Las imágenes solo muestran un ejemplo del montaje de la tapa en V, ya que la salida puede variar según los distintos modelos y configuraciones.

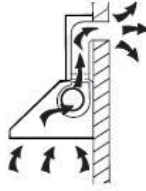
Para montar la tapa en V (1) debe:

- Montar las dos semipiezas (2) en el cuerpo (6).
- El pasador (3) debe estar orientado hacia arriba.
- El eje (4) debe introducirse en los orificios (5) del cuerpo.
- A continuación, repita todas las operaciones para la 2ª parte.



INSTALACIÓN

Si dispone de una salida al exterior, su campana extractora puede conectarse como en la imagen inferior mediante un conducto de extracción (tubería de esmalte, aluminio, flexible o de material no inflamable, con un diámetro interior de 150 mm).



1. Antes de la instalación, apague la unidad.
2. La campana extractora debe colocarse a una distancia de 65~75 cm por encima de la superficie de cocción para obtener el mejor efecto.

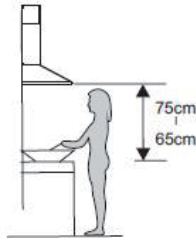


Imagen 1

3. Taladre 5 orificios de $\varnothing 8$ mm en un lugar adecuado para alojar el gancho y el soporte interior de la chimenea, una vez fijada la altura de instalación, y manténgalo alineado. La posición fija del soporte interior de la chimenea es el lugar más alto de esta última. Véase la imagen 2.
4. Atornille y apriete el gancho a la pared con los 3 tornillos (4x40 mm) y los tacos suministrados y utilice 2 tornillos ST4*40 mm para fijar el soporte interior de la chimenea. Véase la imagen 2.

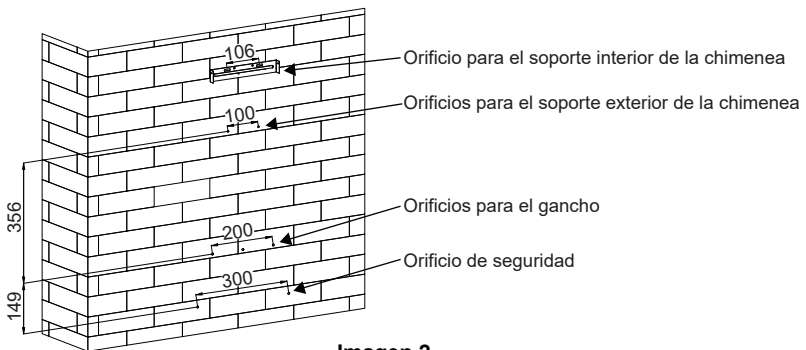


Imagen 2

5. Instale la salida de aire en la campana extractora con 2 tornillos y la tubería de expansión con una brida para cables. Consulte la imagen 3. **Nota: La tubería de expansión no está incluida con el producto.**

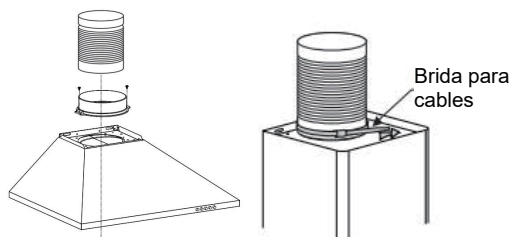


Imagen 3

6. Fije el soporte correspondiente en la chimenea exterior y asegúrese de que en la chimenea interior se puede ajustar la altura en la misma sin problemas. Consulte la imagen 4.

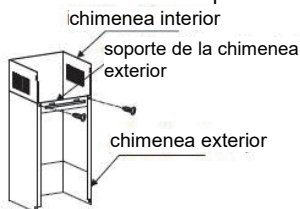


Figura 4

7. Cuelgue el electrodoméstico en el gancho y fíjelo con los 2 tornillos de seguridad (4 mm x 30 mm). Nota: Los dos orificios de ventilación de seguridad están situados en la carcasa trasera, con un diámetro de 6 mm. Consulte la imagen 5.

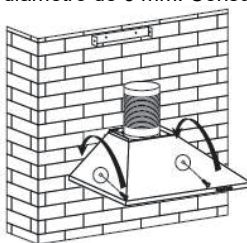


Imagen 5

8. Ajuste la altura de la chimenea interior a la posición del soporte de la misma y fíjela con tornillos. Consulte la imagen 6.

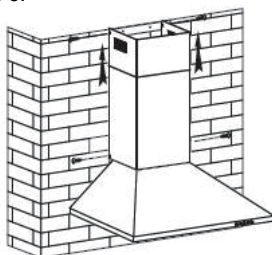


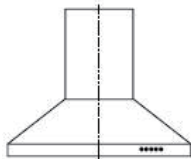
Imagen 6

9. Antes de utilizarla, lea todas las instrucciones y asegúrese de que la potencia nominal de la campana extractora coincide con la potencia nominal de la red eléctrica.

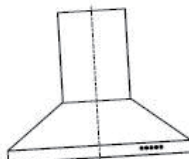
CONSEJOS PARA LA INSTALACIÓN DEL CONDUCTO DE EXTRACCIÓN

Para obtener una extracción de aire óptima, deben seguirse estrictamente las siguientes normas:

- Procure que la tubería de expansión sea corta y esté recta.
- No reduzca ni limite el tamaño de la tubería de expansión.
- Cuando utilice la tubería de expansión, instálela siempre bien tensada para minimizar la pérdida de presión.
- Si no se siguen estas instrucciones básicas, se reducirá el rendimiento y aumentará el nivel de ruido de la campana extractora.
- Cualquier trabajo de instalación debe ser realizado por un electricista cualificado o una persona competente.
- No conecte el sistema de conductos de la campana a ningún sistema de ventilación existente que se esté utilizando para cualquier otro electrodoméstico, como la tubería de un calentador o una tubería de gas o de aire caliente.
- El ángulo del codo de la tubería de expansión no debe ser inferior a 120°; deberá dirigir la tubería en sentido horizontal o, de forma alternativa, la tubería deberá ascender desde el punto inicial y dirigirse hacia una pared exterior.
- Después de la instalación, asegúrese de que la campana extractora esté nivelada para evitar que se acumule grasa en el extremo.
- Asegúrese de que la tubería de expansión seleccionada para la instalación cumpla las normas vigentes y sea ignífuga.



Correcto



Incorrecto

Instalación eléctrica

Todos los trabajos de instalación debe llevarlos a cabo una persona competente o un electricista cualificado. Antes de conectar la red eléctrica, asegúrese de que la tensión de la red coincide con la tensión indicada en la placa de características.

Conexión directa

El electrodoméstico debe conectarse directamente a la red eléctrica mediante un disyuntor omnipolar con una abertura mínima de 3 mm entre los contactos.

El instalador debe asegurarse de que se haya realizado la conexión eléctrica correcta y que esta cumpla con el diagrama de cableado.

No se debe doblar ni comprimir el cable.

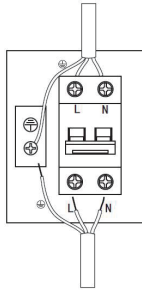
Compruebe periódicamente que el enchufe y el cable de alimentación no estén dañados.

Si el cable de alimentación está dañado, debe sustituirse por un cable especial o un juego de cables disponibles a través del fabricante o de su servicio técnico.

ADVERTENCIA: Este electrodoméstico es de Clase I y DEBE conectarse a tierra.

El aparato está provisto de 3 cables de alimentación principales de los siguientes colores:

Marrón = L o activo
Azul = N o neutro
Verde y amarillo = E o Tierra ⊕



ADVERTENCIA:

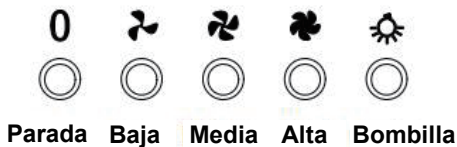


- Por motivos de seguridad, utilice únicamente tornillos de fijación o montaje del mismo tamaño que los recomendados en este manual de instrucciones.
- Si no se instalan los tornillos ni el dispositivo de fijación siguiendo estas instrucciones, esto puede dar lugar a riesgos eléctricos.

Comience a utilizar su campana extractora

Pulsador

- 1) Al pulsar el botón de parada, el motor se detiene.
- 2) Al pulsar el botón de velocidad baja, el motor funciona a baja velocidad.
- 3) Al pulsar el botón central, el motor funciona a velocidad media.
- 4) Al pulsar el botón de velocidad alta, el motor funciona a alta velocidad.
- 5) Al pulsar el botón de la luz, se encienden las dos luces. Al pulsarlo de nuevo, el ventilador del extractor y la iluminación se apagan de forma automática.



RESOLUCIÓN DE PROBLEMAS

Fallo	Posibles causas	Solución
La luz se enciende, pero el motor no funciona	Interruptor del ventilador apagado	Seleccione una posición del interruptor del ventilador.
	Fallo del interruptor del ventilador	Póngase en contacto con el centro de servicio.
	Fallo del motor	Póngase en contacto con el centro de servicio.
La luz o el motor no funcionan	Fusibles de la vivienda quemados	Restablezca/sustituya los fusibles.
	El cable de alimentación está suelto o desconectado	Vuelva a conectar el cable de alimentación a la toma de corriente. Conecte la toma de corriente.
Fuga de aceite	La válvula unidireccional y la salida no están selladas herméticamente	Desmonte la válvula unidireccional y séllela con sellador.
	Fuga en la conexión de la chimenea con la cubierta	Desmonte la chimenea y séllela.
Las luces no funcionan	Bombillas rotas o defectuosas	Sustituya las bombillas siguiendo estas instrucciones.
Aspiración insuficiente	La distancia entre la campana extractora y la parte superior de la cocina de gas es demasiado grande	Vuelva a colocar la campana extractora a la distancia correcta.
La campana extractora se inclina	El tornillo de fijación no está suficientemente apretado	Apriete el tornillo para colgar y colóquelo en posición horizontal.



NOTA:

Cualquier reparación eléctrica de este electrodoméstico debe ajustarse a las leyes locales, estatales y federales. En caso de duda, póngase en contacto con el centro de servicio antes de realizar cualquiera de estas operaciones. Antes de abrir la unidad, desconéctela siempre de la fuente de alimentación.

MANTENIMIENTO Y LIMPIEZA

Precaución:

- Antes de realizar cualquier tarea de mantenimiento o limpieza, desconecte la campana extractora de la red eléctrica. Asegúrese de que la campana extractora esté desconectada de la toma de corriente.
- Las superficies exteriores pueden sufrir arañazos y abrasiones, por lo que deben seguirse las instrucciones de limpieza para obtener el mejor resultado posible sin dañarlas.

GENERAL

La limpieza y el mantenimiento deben realizarse con el aparato en frío, sobre todo al limpiarlo. Evite dejar sustancias alcalinas o ácidas (zumo de limón, vinagre, etc.) sobre las superficies.

ACERO INOXIDABLE

El acero inoxidable debe limpiarse periódicamente (por ejemplo, semanalmente) para garantizar una larga vida útil. Séquelo con un paño suave y limpio. Puede utilizarse un líquido de limpieza específico para acero inoxidable.

NOTA:

Asegúrese de limpiar siguiendo el veteado del acero inoxidable para evitar que aparezcan arañazos antiestéticos entrecruzados.

SUPERFICIE DEL PANEL DE CONTROL

El panel de control integrado puede limpiarse con agua tibia y jabón. Asegúrese de que el paño esté limpio y bien escurrido antes de limpiarlo. Utilice un paño suave y seco para eliminar el exceso de humedad que quede después de la limpieza.

Importante

Utilice detergentes neutros y evite el uso de productos químicos de limpieza agresivos, detergentes domésticos concentrados o productos que contengan abrasivos, ya que esto afectará a la apariencia del aparato y puede eliminar cualquier impresión o ilustración en el panel de control, lo cual anulará la garantía del fabricante.

FILTROS DE MALLA ANTIGRASA

Sumerja el filtro en agua a unos 40-50 °C, vierta el producto de limpieza, déjelo en remojo durante unos 2-3 minutos y, a continuación, cepille el filtro con un cepillo suave. No ejerza demasiada presión para no dañarlo.

El filtro puede lavarse en el lavavajillas. Introduzca el filtro en el lavavajillas, añada el producto de limpieza y ajuste la temperatura a unos 60 °C para el lavado.

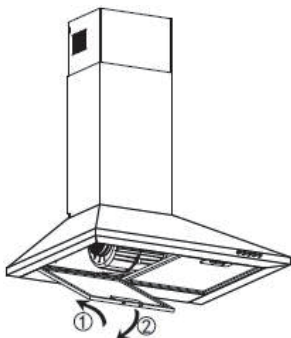
Todos los filtros están hechos de metal, por lo que no se deben utilizar productos de limpieza que tengan un efecto corrosivo sobre los productos de metal cuando se limpian.



NOTA:

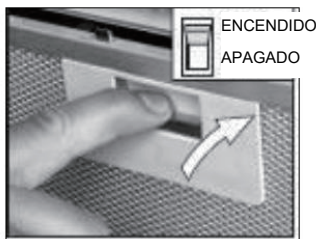
Asegúrese de que el electrodoméstico esté apagado cuando lo limpie.

El orden de desmontaje del filtro se muestra en la siguiente figura:



INSTALACIÓN DE LOS FILTROS DE MALLA ANTIGRASA

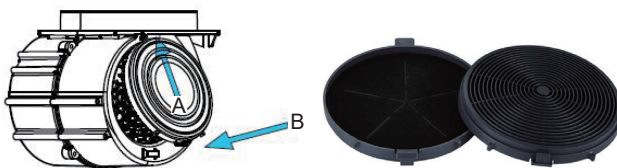
- Para instalar los filtros siga los cuatro pasos siguientes (véase la imagen de abajo):
- Introduzca el filtro en las ranuras de la parte posterior de la campana.
- Pulse el botón situado en el mango del filtro.
- Suelte el mango una vez que el filtro encaje correctamente en la posición de apoyo.
- Repita la operación para instalar todos los filtros.



FILTRO DE CARBÓN – no incluido con el producto

El filtro de carbón activado puede utilizarse para atrapar olores. Por lo general, el filtro de carbón activado debe sustituirse cada tres o seis meses, en función de sus hábitos culinarios. El procedimiento de instalación del filtro de carbón activado es el siguiente.

- ✧ Coloque el pasador del filtro de carbón en el orificio rectangular del ventilador (según indica la flecha A que se muestra a continuación).
- ✧ Empuje el otro lado del filtro de carbón hacia el ventilador para que quede plano (según indica la flecha B que se muestra) y, a continuación, presione el filtro hacia el ventilador.
- ✧ Si desea retirar el filtro, presione el cierre del filtro y retírelo girando hacia la izquierda.



NOTA:

- Asegúrese de que el filtro esté bloqueado de forma segura. De lo contrario, podría aflojarse y resultar peligroso.
- Cuando se instala el filtro de carbón activado, se reduce la potencia de aspiración.

SUSTITUCIÓN DE BOMBILLAS

Importante:



- ✧ La bombilla debe ser sustituida por el fabricante, su agente de servicio o personas con una cualificación similar.
- ✧ Desconecte siempre la alimentación eléctrica antes de realizar cualquier tarea en el electrodoméstico. Al manipular la bombilla, asegúrese de que se haya enfriado por completo antes de tocarla directamente con las manos.
- ✧ Al manipular las bombillas, sujételas con un paño o guantes para evitar que la transpiración entre en contacto con la bombilla, ya que esto puede reducir su vida útil.

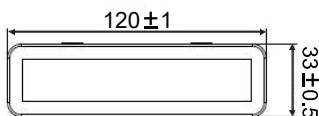
Nota:

- Antes de sustituir la bombilla, la campana extractora puede aislarse de la red de alimentación mediante un enchufe o un interruptor omnipolar.
- Protéjase frente a cualquier peligro al cambiar las luces, por ejemplo, utilizando guantes.

Cambio de las luces:

- Retire el filtro de grasa.
 - Manera 1. Utilice una herramienta o la mano para presionar hacia el interior la lengüeta de resorte de ambos lados de la luz LED hasta que salga, véase la imagen 1. A continuación, tire ligeramente del cable de conexión de la luz y desmonte el terminal de este cable. Véase la imagen 2.
 - Manera 2. Utilice un destornillador recto para levantar el borde inferior de la luz LED, véase la imagen 3 y, a continuación, tire ligeramente del LED y del cable de conexión de la luz. Véase la imagen 2.
 - Realice el procedimiento inverso para volver a instalar la bombilla.
- El código ILCOS D para esta bombilla es: DSS-1.5/65-S-120/33
 - Módulos LED, bombilla rectangular
 - Potencia máxima: 1×1,5 W
 - Rango de tensión: 12 V CC

– Dimensiones:



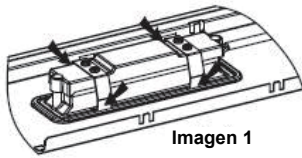


Imagen 1



Imagen 2

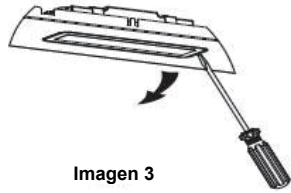
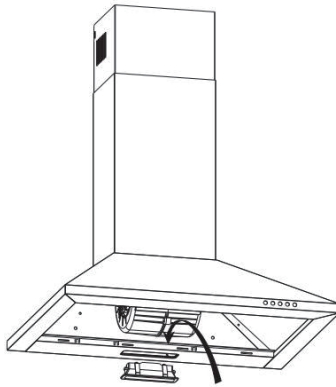



Imagen 3



PROTECCIÓN DEL MEDIOAMBIENTE:

	<p>Este producto está marcado con el símbolo de clasificación selectiva de residuos de aparatos electrónicos. Esto significa que no debe eliminarse con los residuos domésticos, sino que debe contar con un sistema de recogida selectiva conforme a la Directiva 2012/19/UE. A continuación, se reciclará o desmontará para minimizar el impacto sobre el medioambiente. Los productos eléctricos y electrónicos son potencialmente peligrosos para el medioambiente y la salud humana debido a la presencia de sustancias peligrosas. Para obtener más información, póngase en contacto con las autoridades locales o regionales.</p>
---	--

NOTA:

A continuación, se muestra el modo de reducir el impacto medioambiental total (por ejemplo, el uso de energía) del proceso de cocción.

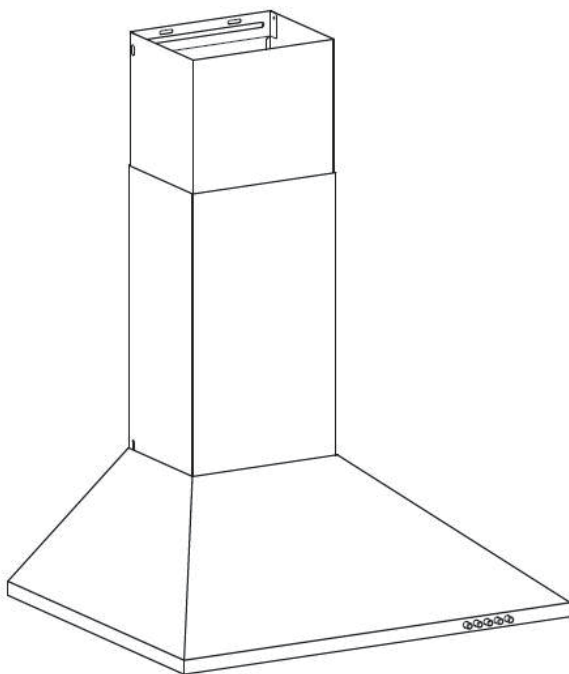
- (1) Instale la campana extractora en un lugar adecuado donde haya una correcta ventilación.
- (2) Limpie periódicamente la campana extractora para no obstruir las salidas de aire.
- (3) Recuerde apagar la luz de la campana extractora después de cocinar.
- (4) Recuerde apagar la campana extractora después de cocinar.

INFORMACIÓN PARA EL DESMONTAJE

No desmonte el electrodoméstico de ningún modo que no esté indicado en el manual de instrucciones. El electrodoméstico no puede ser desmontado por el usuario. Al final de su vida útil, el electrodoméstico no debe desecharse con la basura doméstica. Consulte a las autoridades locales o a su empresa de recogida para que le asesoren sobre el reciclaje.

Hotte aspirante

Manuel d'instructions



Sommaire

- 1.....Consignes de sécurité
- 2.....Installation
- 3.....Premiers pas avec votre hotte
aspirante
- 4.....Dépannage
- 5.....Entretien et nettoyage
- 6.....Protection de
l'environnement

CONSIGNES DE SÉCURITÉ

Ce manuel explique comment installer et utiliser correctement votre hotte aspirante. Veuillez le lire attentivement avant toute utilisation, même si vous connaissez déjà le produit. Ce manuel doit être conservé en lieu sûr pour toute référence ultérieure.

Consignes à respecter absolument :

- N'essayez pas d'utiliser la hotte aspirante sans les filtres à graisse ou si les filtres sont fortement encrassés !
- N'installez pas la hotte au-dessus d'une cuisinière équipée d'un gril en hauteur.
- Ne laissez pas les poêles à frire sans surveillance pendant leur utilisation, car les graisses ou les huiles surchauffées risquent de s'enflammer.

- Ne laissez jamais de flammes nues sous la hotte aspirante.



- Si la hotte aspirante est endommagée, n'essayez pas de l'utiliser.
- Ne flambez pas d'aliments sous la hotte aspirante.
- ATTENTION : les pièces accessibles du produit peuvent devenir chaudes lorsqu'il est utilisé avec des appareils de cuisson.

- Vous devez respecter la distance minimale entre la surface de contact des récipients de cuisson sur la plaque de cuisson et la partie la plus basse de la hotte aspirante.
(Lorsque la hotte aspirante est située au-dessus d'une gazinière, cette distance doit être au minimum de 65 cm.)
- L'air ne doit pas être évacué dans un conduit destiné à évacuer les fumées d'appareils utilisant du gaz ou d'autres combustibles. Les hottes aspirantes et autres extracteurs de fumées de cuisson peuvent nuire au bon fonctionnement des appareils utilisant du gaz ou d'autres combustibles (y compris ceux situés dans d'autres pièces) en raison du reflux de gaz de combustion. Ces gaz peuvent potentiellement entraîner une intoxication au monoxyde de carbone. Après l'installation d'une

hotte aspirante ou d'un autre extracteur de fumées de cuisson, le fonctionnement des appareils à gaz à foyer ouvert doit être testé par une personne compétente afin de s'assurer qu'il n'y a pas de reflux de gaz de combustion.



Consignes à respecter absolument :

- Important ! Coupez toujours l'alimentation électrique au niveau du secteur lors de l'installation et de l'entretien, par exemple lorsque vous procédez au remplacement de la lampe.
- La hotte aspirante doit être installée

conformément aux instructions d'installation et toutes les mesures doivent être respectées.

- Tous travaux d'installation doivent être effectués par une personne compétente ou un électricien qualifié.
- Veuillez mettre au rebut le matériel d'emballage avec soin, car il représente un danger pour les enfants.
- Faites attention aux bords tranchants à l'intérieur de la hotte aspirante, en particulier lors de l'installation et du nettoyage.
- Veillez à ce que les conduits ne présentent aucun coude avec un angle supérieur à 90 degrés, car cela nuirait aux performances de la hotte aspirante.

- **Avertissement** : Si les vis ou le dispositif de fixation ne sont pas installés conformément à ces instructions, cela pourrait entraîner un danger électrique.
- **Avertissement** : avant d'accéder aux bornes, tous les circuits d'alimentation doivent être déconnectés.
- Si la tension nominale de la lampe est inférieure à la tension nominale de l'appareil, la tension nominale de la lampe doit également être indiquée sur la douille ou à proximité de celle-ci.

Consignes à respecter

absolument :

- Mettez toujours des couvercles sur les casseroles et les

poêles lorsque vous cuisinez sur une gazinière.

- En mode extraction, l'air de la pièce est évacué par la hotte aspirante. Veillez à ce que les mesures de ventilation appropriées soient respectées. La hotte aspirante élimine les odeurs de la pièce, mais pas la vapeur.
- La pièce doit être suffisamment ventilée lorsque la hotte aspirante est utilisée en même temps que des appareils utilisant du gaz ou d'autres combustibles.
- La hotte aspirante est destinée à un usage domestique uniquement.



- Si le cordon d'alimentation est endommagé, il doit être

remplacé par le fabricant, son prestataire de services ou toute autre personne ayant des compétences similaires afin d'éviter tout danger.

- Cet appareil n'est pas destiné à être utilisé par des personnes (y compris des enfants) ayant des capacités physiques, sensorielles ou mentales diminuées, ou manquant d'expérience et de connaissances, à moins qu'elles ne soient surveillées ou qu'elles n'aient reçu des instructions concernant l'utilisation de l'appareil de la part d'une personne responsable de leur sécurité.
- Les enfants doivent être surveillés pour s'assurer qu'ils ne jouent pas avec l'appareil.
- Cet appareil peut être utilisé par des enfants âgés de 8 ans et plus, et par des personnes ayant des capacités physiques,

sensorielles ou mentales diminuées, ou manquant d'expérience et de connaissances, à condition qu'elles soient surveillées ou qu'elles aient reçu des instructions concernant l'utilisation de l'appareil en toute sécurité et qu'elles aient compris les dangers encourus. Les enfants ne doivent pas jouer avec l'appareil. Le nettoyage et l'entretien par l'utilisateur ne doivent pas être effectués par des enfants sans surveillance.



Consignes à respecter absolument :

- Attention : l'appareil et ses parties accessibles peuvent devenir chauds pendant l'utilisation.

Veillez à ne pas toucher les éléments chauffants. Les enfants de moins de 8 ans doivent rester à l'écart, sauf s'ils sont constamment surveillés.

- Il existe un risque d'incendie si le nettoyage n'est pas effectué conformément aux instructions.
- Les réglementations concernant les évacuations de l'air doivent être respectées.
- **Nettoyez** régulièrement votre appareil en suivant la méthode indiquée dans la section **ENTRETIEN ET NETTOYAGE**.
- Pour des raisons de sécurité, utilisez uniquement des vis de fixation ou de montage de la même taille que celles recommandées dans ce manuel d'instructions.
- Pour plus d'informations sur la méthode et la fréquence de

nettoyage, veuillez vous référer à la section relative à l'entretien et au nettoyage dans le manuel d'instructions.

- Pour en savoir plus sur la fixation de l'appareil sur son support, veuillez vous référer à la section relative au fonctionnement de la hotte et aux consignes d'installation de ce manuel.
- Le nettoyage et l'entretien par l'utilisateur ne doivent pas être effectués par des enfants sans surveillance.
- Lorsque la hotte aspirante et des

appareils alimentés par une énergie autre que l'électricité fonctionnent simultanément, la pression négative dans la pièce ne doit pas dépasser 4 Pa (4×10^{-5} bar).

- **AVERTISSEMENT :**
Risque d'incendie : ne laissez pas d'objets sur les surfaces de cuisson.
- Ne pas utiliser de nettoyeur à vapeur.
- **N'essayez JAMAIS** d'éteindre un feu avec de l'eau. Éteignez plutôt l'appareil et couvrez les flammes avec un couvercle ou une couverture anti-feu, par exemple.

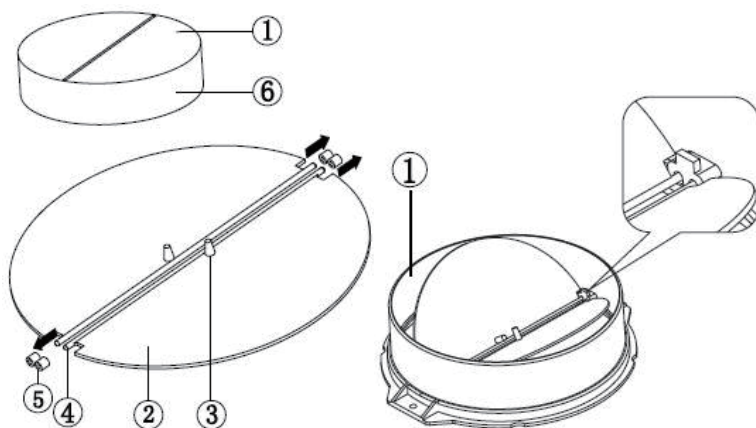
INSTALLATION (ÉVACUATION VERS L' EXTÉRIEUR)

MONTAGE DU CLAPET ANTIRETOUR

Si la hotte aspirante n'est pas équipée d'un clapet antiretour (1), vous devrez assembler vous-même les clapets sur la structure. Les illustrations ne montrent qu'un exemple de montage du clapet antiretour, car le système d'évacuation de l'air peut varier selon les modèles et les configurations.

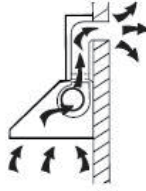
Pour assembler le clapet antiretour (1), vous devez :

- installer les deux clapets (2) dans la structure (6) ;
- orienter la goupille (3) vers le haut ;
- insérer l'axe (4) dans les trous (5) de la structure ;
- répéter toutes les étapes pour le 2^e clapet.



INSTALLATION

Si vous disposez d'une évacuation vers l'extérieur, votre hotte aspirante peut être raccordée comme ci-dessous à l'aide d'un conduit d'extraction (en émail, en aluminium, un tuyau flexible ou tout matériau non inflammable d'un diamètre intérieur de 150 mm).



1. Avant l'installation, éteignez l'appareil.
2. La hotte aspirante doit être placée à une distance de 65 à 75 cm au-dessus de la surface de cuisson pour un résultat optimal.

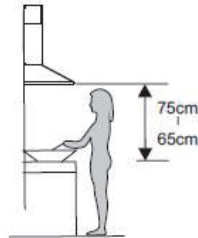


Fig. 1

3. Une fois la hauteur d'installation déterminée, percez cinq trous de $\varnothing 8$ mm à un endroit approprié pour fixer le crochet et le support intérieur de la cheminée, en veillant à les aligner correctement. Le support intérieur de la cheminée doit être placé au niveau le plus haut de la cheminée. Voir Fig. 2.
4. Vissez et serrez le crochet au mur avec les trois vis (4 x 40 mm) et les chevilles fournies, puis utilisez deux vis ST4*40 mm pour fixer le support intérieur de la cheminée. Voir Fig. 2.

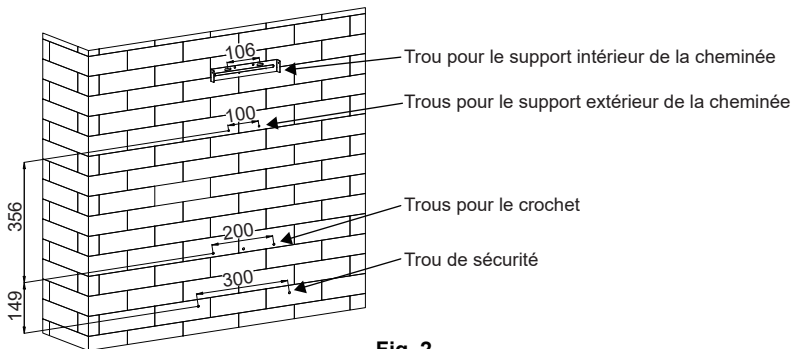


Fig. 2

5. Installer la sortie d'air sur la hotte aspirante à l'aide de deux vis et fixez le conduit d'évacuation à l'aide d'un collier de serrage (voir Fig.3). **Remarque : le conduit d'évacuation n'est pas inclus avec l'appareil.**

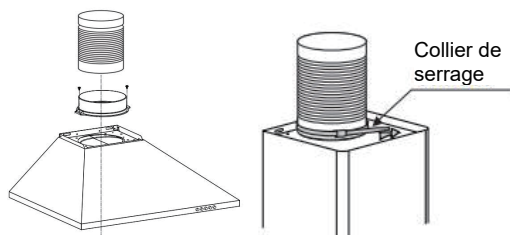


Fig. 3

6. Fixez le support extérieur de la cheminée sur la cheminée extérieure, en vous assurant que la cheminée intérieure peut être ajustée librement en hauteur (voir Fig. 4).

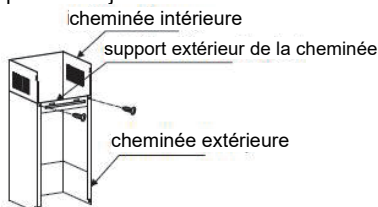


Fig. 4

7. Accrochez l'appareil au crochet et fixez-le à l'aide de deux vis de sécurité (4 mm x 30 mm). Remarque : les deux orifices de sécurité de 6 mm de diamètre sont situés sur le boîtier arrière (voir Fig. 5).

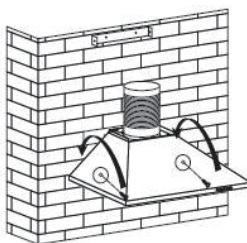


Fig. 5

8. Ajustez la hauteur de la cheminée intérieure par rapport à la position du support intérieur de la cheminée et fixez-la à l'aide d'une vis (voir Fig. 6).

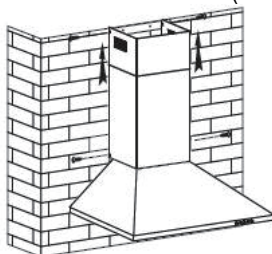


Fig. 6

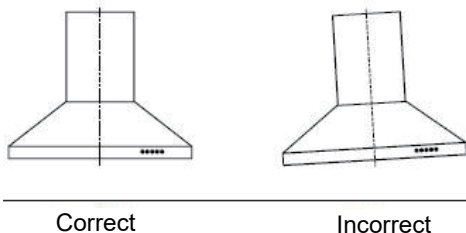
9. Avant utilisation, lisez toutes les instructions et assurez-vous que la puissance nominale de la hotte aspirante correspond à celle de l'alimentation électrique.

CONSEILS POUR L'INSTALLATION DU CONDUIT

D'ÉVACUATION

Les consignes suivantes doivent être rigoureusement suivies pour obtenir une extraction d'air optimale :

- Assurez-vous que le tuyau d'expansion reste court et droit.
- Ne raccourcissez pas et n'entravez pas le tuyau d'expansion.
- Lorsque vous utilisez le tuyau d'expansion, installez-le toujours de manière à ce qu'il soit bien tendu pour limiter les pertes de pression.
- Le non-respect de ces instructions de base nuira aux performances de la hotte aspirante et augmentera son niveau sonore.
- Tous travaux d'installation doivent être effectués par un électricien qualifié ou une personne compétente.
- Ne raccordez pas le système d'évacuation de la hotte à un système de ventilation existant qui est utilisé pour un autre appareil, tel que des conduites de chauffage, de gaz ou d'air chaud.
- L'angle de courbure du tuyau d'expansion ne doit pas être inférieur à 120°. Vous devez orienter le tuyau horizontalement ou, vous pouvez également l'orienter vers le haut depuis le point initial et le diriger vers un mur extérieur.
- Après l'installation, veillez à ce que la hotte aspirante soit de niveau afin d'éviter que la graisse ne s'accumule à son extrémité.
- Assurez-vous que le tuyau d'expansion choisi pour l'installation est conforme aux normes en vigueur et qu'il est ignifuge.



Installation électrique

Tous travaux d'installation doivent être effectués par une personne compétente ou un électricien qualifié. Avant de raccorder l'appareil au secteur, assurez-vous que la tension du réseau correspond à celle indiquée sur la plaque signalétique.

Raccordement direct

L'appareil doit être raccordé directement au réseau électrique à l'aide d'un disjoncteur omnipolaire offrant une ouverture minimale de 3 mm entre les contacts.

L'installateur doit s'assurer que le branchement électrique a été fait correctement et qu'il est conforme au schéma de câblage.

Le câble ne doit être ni plié ni comprimé.

Vérifiez régulièrement que la fiche d'alimentation et le cordon d'alimentation ne sont pas endommagés. Si le cordon d'alimentation est endommagé, il doit être remplacé par un cordon spécial ou un ensemble disponible auprès du fabricant ou de son service après-vente.

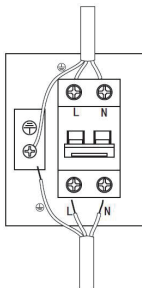
AVERTISSEMENT : Cet appareil est de classe I et DOIT être mis à la terre.

L'appareil est fourni avec un câble d'alimentation à 3 fils, aux couleurs suivantes :

Marron = L ou Phase

Bleu = N ou Neutre

Vert et jaune = E ou Terre ⊕



AVERTISSEMENT :



- Pour des raisons de sécurité, utilisez uniquement des vis de fixation ou de montage de la même taille que celles recommandées dans le présent manuel d'instructions.
- Si les vis ou le dispositif de fixation ne sont pas installés conformément à ces instructions, cela pourrait entraîner un danger électrique.

Premiers pas avec votre hotte aspirante

Bouton-poussoir

- 1) Appuyez sur le bouton d'arrêt et le moteur s'arrêtera.
- 2) Appuyez sur le bouton « bas » et le moteur fonctionnera à basse vitesse.
- 3) Appuyez sur le bouton du milieu et le moteur fonctionnera à vitesse moyenne.
- 4) Appuyez sur le bouton « élevé » et le moteur fonctionnera à haute vitesse.
- 5) Appuyez sur le bouton d'éclairage et les deux lampes s'allumeront. Appuyez encore une fois et la lampe s'éteindra.



Arrêt Basse Moyenne Élevée Lampe

DÉPANNAGE

Problème	Cause possible	Solution
La lumière s'allume, mais le moteur ne fonctionne pas	L'interrupteur de la hotte est éteint	Enclenchez l'interrupteur de la hotte
	L'interrupteur de la hotte est en panne	Contactez le centre de réparation.
	Le moteur est en panne	Contactez le centre de réparation
La lumière ne fonctionne pas, le moteur ne fonctionne pas	Les fusibles de la maison ont grillé	Remettez/remplacez les fusibles
	Le cordon d'alimentation n'est pas inséré correctement ou est débranché	Réinsérez le cordon d'alimentation dans la prise de courant Mettez la prise de courant sous tension
Fuite d'huile	La valve unidirectionnelle et l'évacuation ne sont pas fixées de manière étanche	Retirez la valve unidirectionnelle et fixez-la avec un produit d'étanchéité
	Fuite au niveau du raccordement entre la cheminée et le capot	Retirez la cheminée et fixez-la de manière étanche
Les lumières ne fonctionnent pas	Lampes cassées ou défectueuses	Remplacez les lampes conformément à ces instructions.
Aspiration insuffisante	La distance entre la hotte aspirante et la gazinière est trop grande	Ajustez la hotte aspirante à la bonne distance.
La hotte aspirante est inclinée	Les vis de fixation ne sont pas suffisamment serrées	Resserrez les vis de fixation et veillez à ce que la hotte soit à l'horizontale.



REMARQUE :

Toutes réparations électriques effectuées sur cet appareil doivent être conformes à la législation locale, nationale et fédérale. En cas de doute, veuillez contacter le centre de réparation avant d'entreprendre l'une des opérations ci-dessus. Débranchez toujours l'appareil de l'alimentation avant de l'ouvrir.

ENTRETIEN ET NETTOYAGE

Attention :

- Avant de procéder à l'entretien ou au nettoyage, la hotte aspirante doit être débranchée de l'alimentation électrique principale. Assurez-vous que la hotte aspirante est éteinte au niveau de la prise murale.
- Les surfaces extérieures sont sensibles aux rayures et à l'abrasion. Il convient donc de suivre les instructions de nettoyage afin d'obtenir le meilleur résultat possible sans endommager l'appareil.

GÉNÉRALITÉS

Le nettoyage et l'entretien doivent être effectués lorsque l'appareil est froid, en particulier lors du nettoyage. Évitez de laisser des substances alcalines ou acides (jus de citron, vinaigre, etc.) sur les surfaces.

ACIER INOXYDABLE

L'acier inoxydable doit être nettoyé régulièrement (par exemple, une fois par semaine) pour garantir une longue durée de vie. Séchez la surface à l'aide d'un chiffon doux et propre. Il est possible d'utiliser un produit de nettoyage spécifique pour acier inoxydable.

REMARQUE :

Veillez à essuyer dans le sens du grain de l'acier inoxydable afin d'éviter l'apparition de traces ou des rayures disgracieuses.

SURFACE DU PANNEAU DE COMMANDE

Le panneau de commande encastré peut être nettoyé à l'aide d'eau tiède savonneuse. Veillez à ce que le chiffon soit propre et bien essoré avant de commencer à nettoyer. Utilisez un chiffon doux et sec pour éliminer toute trace d'humidité après le nettoyage.

Important

Utilisez des détergents neutres et évitez d'utiliser des produits nettoyants chimiques agressifs, des détergents ménagers puissants ou des produits contenant des substances abrasives, car cela affecterait l'apparence de l'appareil et pourrait effacer toutes les illustrations imprimées sur le panneau de commande, ce qui annulerait la garantie du fabricant.

FILTRES À GRAISSE À MAILLES

Plongez le filtre dans de l'eau à environ 40-50 °C, versez du produit de nettoyage, laissez tremper pendant environ 2-3 minutes, puis brossez le filtre à l'aide d'une brosse douce. N'exercez pas une pression trop forte pour ne pas l'endommager.

Le filtre peut être lavé au lave-vaisselle. Mettez le filtre dans le lave-vaisselle, ajoutez du produit de nettoyage et réglez la température à environ 60 °C pour le lavage.

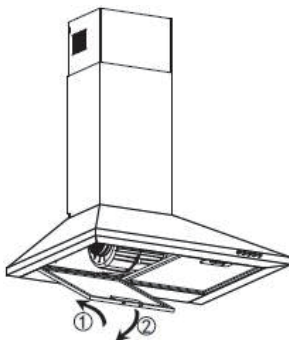
Tous les filtres sont en métal, veuillez ne pas utiliser de produits de nettoyage ayant un effet corrosif sur les surfaces métalliques lors du nettoyage.



REMARQUE :

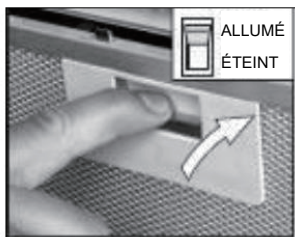
Veillez à ce que l'appareil soit éteint avant de le nettoyer.

L'ordre de démontage du filtre est illustré sur la figure ci-dessous :



INSTALLATION DU FILTRE À GRAISSE À MAILLES

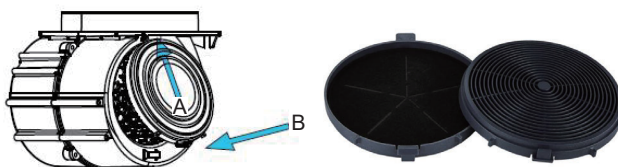
- Pour installer le filtre, suivez les quatre étapes suivantes (voir les fig. ci-dessous) :
- Positionnez le filtre dans les fentes situées à l'arrière de la hotte.
- Appuyez sur le bouton situé sur la poignée du filtre.
- Relâchez la poignée une fois le filtre bien positionné.
- Répétez l'opération pour installer tous les filtres.



FILTRE À CHARBON (non fourni avec l'appareil)

Un filtre à charbon actif peut être utilisé pour absorber les odeurs. Normalement, le filtre à charbon actif doit être remplacé tous les trois à six mois en fonction de vos habitudes culinaires. La procédure d'installation du filtre à charbon actif est la suivante :


- ✧ Insérez la goupille du filtre à charbon dans l'orifice rectangulaire du ventilateur (comme indiqué par la flèche A ci-dessous)
- ✧ Poussez l'autre côté du filtre à charbon vers le ventilateur pour l'aplatir (comme indiqué par la flèche B), puis appuyez sur le filtre pour l'insérer dans le ventilateur.
- ✧ Si vous souhaitez retirer le filtre, appuyez sur l'attache ou le filtre, et retirez-le en le tournant dans le sens inverse des aiguilles d'une montre.



REMARQUE :

- Assurez-vous que le filtre est bien fixé. Dans le cas contraire, il pourrait se détacher et présenter un danger.
- Lorsque le filtre à charbon actif est fixé, la puissance d'aspiration est réduite.

REPLACEMENT DE LA LAMPE

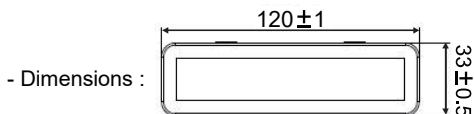
<p>Important :</p> 	<ul style="list-style-type: none">✧ La lampe doit être remplacée par le fabricant, son prestataire de services ou toute autre personne ayant des compétences similaires.✧ Coupez toujours l'alimentation électrique avant d'effectuer toute intervention sur l'appareil. Lorsque vous manipulez la lampe, assurez-vous qu'elle a complètement refroidi avant tout contact direct avec les mains.✧ Lorsque vous manipulez la lampe, tenez-la avec un chiffon ou des gants pour éviter tout contact avec la transpiration, car cela peut réduire sa durée de vie.
---	---

Remarque :

- Avant de remplacer la lampe, veillez à ce que la hotte aspirante puisse être isolée du réseau d'alimentation au moyen d'une fiche ou d'un interrupteur omnipolaire.
- Pensez à votre sécurité lorsque vous remplacez la lampe en portant des gants, par exemple.

Pour remplacer la lampe :

- Retirez le filtre à graisse.
 - Méthode 1. Utilisez un outil ou votre main pour exercer une pression sur le ressort des deux côtés de l'éclairage D.E.L. vers l'intérieur, jusqu'à ce que la lampe soit extraite (voir Fig. 1). Ensuite, tirez légèrement sur le câble de connexion de la lampe et démontez la borne du câble de connexion de la lampe. Voir Fig. 2.
Méthode 2. Utilisez un tournevis droit pour soulever le bord inférieur de l'éclairage D.E.L. (voir Fig. 3), puis tirez légèrement sur l'éclairage D.E.L. et sur le câble de connexion de la lampe. Voir Fig. 2.
 - Appliquez la procédure inverse pour réinstaller la lampe.
- Le code ILCOS D pour cette lampe est le suivant : DSS-1.5/65-S-120/33
 - Modules LED : lampe rectangulaire
 - Puissance maximale : 1 × 1,5 W
 - Plage de tension : 12 V AC



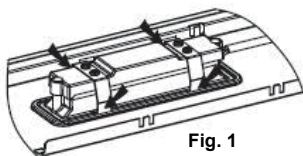


Fig. 1



Fig. 2

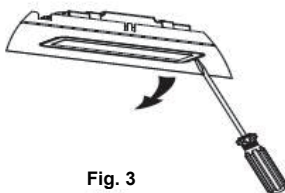
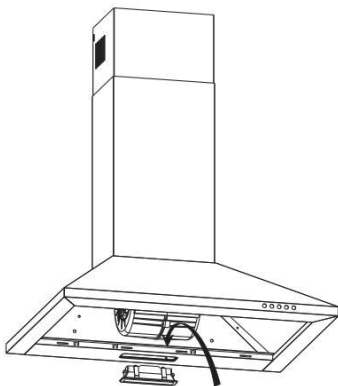


Fig. 3



PROTECTION DE L' ENVIRONNEMENT :



Ce produit comporte le symbole de tri sélectif des déchets d'équipements électroniques. Cela signifie que ce produit ne doit pas être jeté avec les déchets ménagers, mais déposé dans un centre de tri sélectif conformément à la directive 2012/19/UE. Il sera ensuite recyclé ou démonté afin de minimiser l'impact sur l'environnement, les produits électriques et électroniques étant potentiellement dangereux pour l'environnement et la santé en raison de la présence de substances dangereuses. Pour plus d'informations, veuillez contacter vos autorités locales ou régionales.

REMARQUE :

Les consignes suivantes vous permettent de réduire l'impact environnemental du processus de cuisson (par exemple, la consommation énergétique).

- (1) Installez la hotte aspirante dans un endroit approprié où la ventilation est efficace.
- (2) Nettoyez régulièrement la hotte aspirante afin de ne pas obstruer le passage de l'air.
- (3) N'oubliez pas d'éteindre la lampe de la hotte aspirante après la cuisson.
- (4) N'oubliez pas d'éteindre la hotte aspirante après la cuisson.

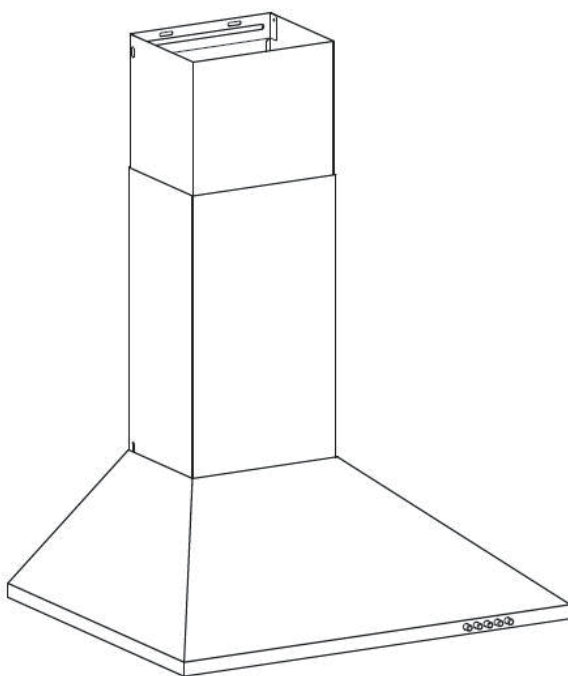
INFORMATIONS RELATIVES AU DÉMONTAGE

Ne démontez pas l'appareil autrement que selon les instructions du manuel d'utilisation. L'appareil ne doit pas être démonté par l'utilisateur. En fin de vie, l'appareil ne doit pas être jeté avec les déchets ménagers. Renseignez-vous auprès des autorités locales ou auprès de votre revendeur pour obtenir des conseils en matière de recyclage.



Exaustor

Manual de instruções



Conteúdo

- 1.....Instruções de segurança
- 2.....Instalação
- 3.....Começar a utilizar o seu
exaustor
- 4.....Resolução de problemas
- 5.....Manutenção e limpeza
- 6.....Proteção do ambiente

INSTRUÇÕES DE SEGURANÇA

Este manual explica a instalação e a utilização corretas do seu exaustor. Leia-o atentamente antes de o utilizar, mesmo que esteja familiarizado com o produto. O manual deve ser guardado num local seguro para consulta futura.

Nunca fazer:

- Não tente utilizar o exaustor sem os filtros de gordura ou se os filtros estiverem demasiado gordurosos!
- Não instale por cima de um fogão com um grelhador de elevada potência.
- Não deixe frigideiras sem vigilância durante a utilização, pois as gorduras ou óleos sobreaquecidos podem incendiar-se.
- Nunca coloque chamas livres debaixo do exaustor.



- Se o exaustor estiver danificado, não tente utilizá-lo.
- Não flambeie sob o exaustor.
- CUIDADO: As peças acessíveis podem ficar quentes quando utilizadas com aparelhos de cozinha.
- A distância mínima entre a superfície de apoio dos recipientes de cozedura no fogão e a parte mais baixa do exaustor. (Se o exaustor estiver situado por cima de um aparelho a gás, esta

distância deve ser de, pelo menos, 65 cm)

- O ar não deve ser descarregado para uma conduta de exaustão de fumos de aparelhos a gás ou outros combustíveis. Os exaustores de cozinha e outros extratores de fumos de cozinha podem afetar negativamente o funcionamento seguro de aparelhos a gás ou outros combustíveis (incluindo os que se encontram noutras divisões) devido ao refluxo dos gases de combustão. Estes gases podem potencialmente resultar em envenenamento por monóxido de carbono. Após a instalação de um exaustor ou de outro extrator de fumos de cozinha, o funcionamento dos aparelhos a gás de chama aberta deve ser testado por uma pessoa

competente para garantir que não ocorra refluxo dos gases de combustão.



A fazer sempre:

- Importante! Desligue sempre a alimentação elétrica da rede durante a instalação e a manutenção, como a substituição de lâmpadas.
- O exaustor tem de ser instalado de acordo com as instruções de instalação e todas as dimensões devem ser observadas.
- Todos os trabalhos de instalação devem ser realizados por uma pessoa competente ou por um electricista qualificado.

- Elimine o material de embalagem com cuidado. A embalagem pode ser perigosa para as crianças.
- Preste atenção às arestas afiadas no interior do exaustor, especialmente durante a instalação e a limpeza.
- Certifique-se de que a conduta não tem curvas mais acentuadas do que 90 graus, pois isso reduzirá a eficiência do exaustor.
- **Aviso:** A não instalação dos parafusos ou a não fixação do aparelho de acordo com estas instruções pode resultar em riscos elétricos.
- **Aviso:** Antes de aceder aos terminais, todos os circuitos de alimentação devem ser desligados.
- Se a tensão nominal da lâmpada for inferior

à tensão nominal do aparelho, a tensão nominal da lâmpada deve também ser marcada no suporte da lâmpada ou na sua proximidade.

A fazer sempre:

- Coloque sempre tampas nos tachos e panelas quando cozinhar num fogão a gás.
- Quando no modo de extração, o exaustor retira o ar da divisão. Certifique-se de que estão a ser respeitadas as medidas de ventilação adequadas. O exaustor elimina os odores da divisão, mas não o vapor.
- Deverá haver uma ventilação adequada do local quando o exaustor for utilizado em simultâneo com aparelhos a gás ou outros combustíveis.

- O exaustor destina-se apenas a uso doméstico.



- Se o cabo de alimentação estiver danificado, deve ser substituído pelo fabricante, pelo seu prestador de assistência técnica ou por alguém devidamente qualificado a fim de evitar situações de perigo.
- Este aparelho não se destina a ser utilizado por pessoas (incluindo crianças) com capacidades físicas, sensoriais ou mentais reduzida, ou com falta de experiência e conhecimentos, a menos que sejam supervisionadas ou instruídas relativamente

à utilização do aparelho por uma pessoa responsável pela sua segurança

- As crianças devem ser supervisionadas para garantir que não brincam com o eletrodoméstico.
- Este aparelho pode ser utilizado por crianças com idade igual ou superior a 8 anos e por pessoas com capacidades físicas, sensoriais ou mentais reduzidas ou sem experiência e conhecimento desde que sob supervisão ou devidamente instruídas acerca de uma utilização segura do aparelho e tenham compreendido os perigos. As crianças não devem brincar com o aparelho. Os trabalhos de limpeza e manutenção não devem ser realizados por crianças sem supervisão.

A fazer sempre:

- **Cuidado:** O aparelho e as suas partes acessíveis podem aquecer durante o funcionamento. Deve ter o cuidado de evitar tocar nos elementos de aquecimento. As crianças com menos de 8 anos devem manter-se afastadas, exceto se estiverem sob supervisão permanente.
- Existe um risco de incêndio se a limpeza não for efetuada de acordo com as instruções.
- Os regulamentos relativos à descarga de ar deverão ser cumpridos.
- Limpe periodicamente o seu aparelho seguindo o método indicado no capítulo **MANUTENÇÃO**.
- Por razões de segurança, utilize

apenas parafusos de fixação ou de montagem do mesmo tamanho que os recomendados neste manual de instruções.

- Relativamente aos detalhes sobre o método e a frequência da limpeza, consulte a secção de manutenção e limpeza no manual de instruções.
- Relativamente às informações sobre a forma como o aparelho deve ser fixado ao seu suporte, consulte a secção Funcionamento, os procedimentos de Instalação neste manual.



- Os trabalhos de limpeza e manutenção não devem ser realizados por crianças sem supervisão.

- Quando o exaustor e os aparelhos alimentados por outra energia que não a elétrica estiverem em funcionamento simultâneo, a pressão negativa no local não deve exceder 4 Pa (4×10^{-5} bar).
- **Aviso: Perigo de incêndio:** não guarde

objetos sobre as superfícies de cozedura.

- Não deve ser usada uma máquina de limpeza a vapor.
- **NUNCA** tente apagar um incêndio com água. Desligue o aparelho e cubra a chama, por exemplo, com uma tampa ou um cobertor antifogo.

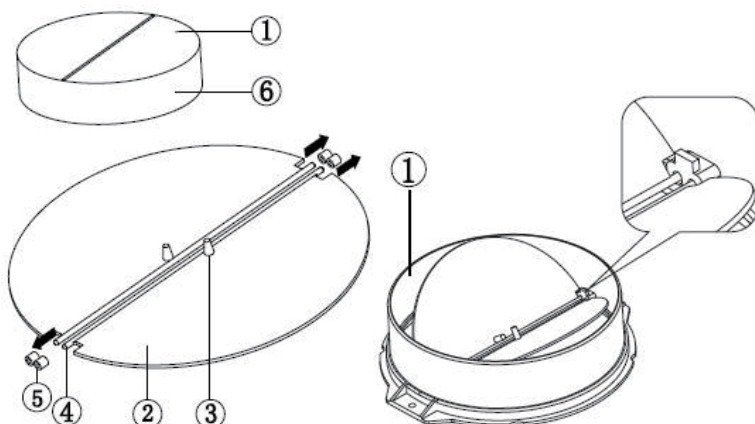
INSTALAÇÃO (VENTILAÇÃO EXTERIOR)

MONTAGEM DA ABA EM V

Se o exaustor não tiver uma aba em V montada 1, deverá montar as meias peças no seu corpo. As imagens mostram apenas um exemplo de como montar a aba em V, porque a saída pode variar de acordo com os diferentes modelos e configurações.

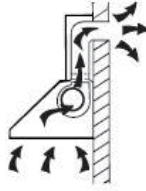
Para montar a aba em V 1, é necessário:

- Monte duas meias-peças 2 no corpo 6;
- o pino 3 deve estar orientado para cima;
- o eixo 4 deve ser inserido nos orifícios 5 do corpo;
- repita todas as operações para a segunda metade da peça.



INSTALAÇÃO

Se tiver uma saída para o exterior, o seu exaustor pode ser ligado como na figura abaixo, através de uma conduta de extração (esmalte, alumínio, tubo flexível ou material não inflamável com um diâmetro interior de 150 mm).



1. Antes da instalação, desligue a unidade.
2. O exaustor deve ser colocado a uma distância de 65~75 cm acima da superfície de cozedura para um melhor efeito.

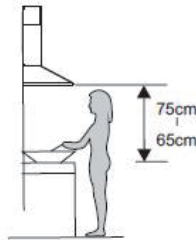


Imagem 1

3. Faça 5 furos de $\varnothing 8\text{mm}$ num local adequado para acomodar o gancho e o suporte interior da chaminé quando a altura de instalação estiver fixada, e mantenha-os alinhados. A posição fixa do suporte interior da chaminé é o local mais alto da chaminé. Ver Figura 2.
4. Aparafuse e aperte o gancho na parede com os parafusos de 3 peças (4 x 40 mm) e as buchas fornecidas e, em seguida, utilize 2 parafusos ST4*40 mm para fixar o suporte interior da chaminé. Ver Figura 2.

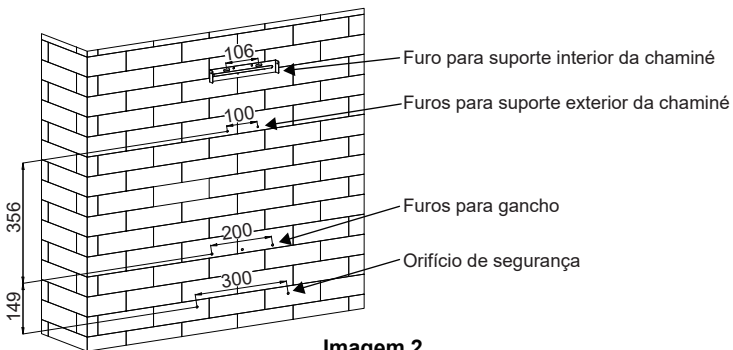


Imagem 2

5. Instale a saída de ar no exaustor com 2 parafusos e o tubo de expansão com uma braçadeira, ver imagem 3. **Nota: o tubo de expansão não está incluído no produto.**

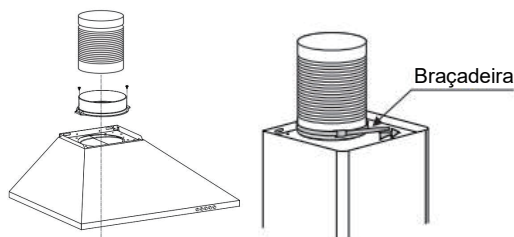


Imagem 3

6. Fixe o suporte da chaminé exterior na chaminé exterior e certifique-se de que a chaminé interior pode ser ajustada livremente em altura, ver imagem 4.

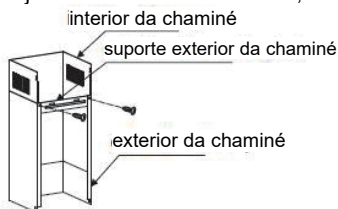


Imagem 4

7. Pendure o aparelho no gancho e fixe-o com os 2 parafusos de segurança (4 mm x 30 mm). Nota: As duas aberturas de segurança estão posicionadas no revestimento traseiro, com um diâmetro de 6 mm. Ver imagem 5.

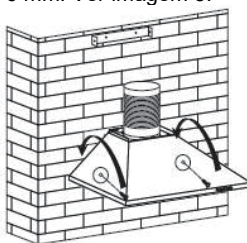


Imagem 5

8. Regule a altura da chaminé interior para a posição do suporte da chaminé interior e fixe-a com um parafuso. Ver imagem 6.

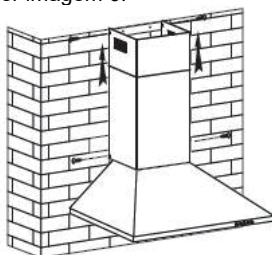


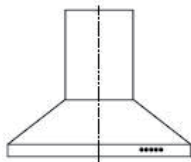
Imagem 6

9. Antes da utilização, leia todas as instruções e certifique-se de que a potência nominal do exaustor corresponde à potência nominal da fonte de alimentação.

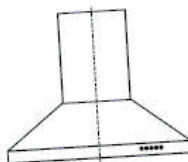
DICAS PARA A INSTALAÇÃO DE CONDUTAS DE EXAUSTÃO

As seguintes regras devem ser rigorosamente respeitadas para obter uma extração de ar ideal:

- Mantenha o tubo de expansão curto e direito.
- Não reduza o tamanho ou restrinja o tubo de expansão.
- Ao utilizar o tubo de expansão instale sempre o tubo esticado para minimizar a perda de pressão.
- O não cumprimento destas instruções básicas reduz o desempenho e aumenta os níveis de ruído do exaustor.
- Qualquer trabalho de instalação deverá ser efetuado por um electricista qualificado ou por uma pessoa competente.
- Não ligue o sistema de condutas do exaustor a qualquer sistema de ventilação existente que esteja a ser utilizado para qualquer outro aparelho, como um tubo de aquecimento, um tubo de gás ou um tubo de vento quente.
- O ângulo de curvatura do tubo de expansão não deve ser inferior a 120°; deverá dirigir o tubo horizontalmente ou, em alternativa, o tubo deverá subir a partir do ponto inicial e ser conduzido até uma parede exterior.
- Após a instalação, certifique-se de que o exaustor está nivelado para evitar a acumulação de gorduras na extremidade.
- Certifique-se de que o tubo de expansão selecionado para instalação está em conformidade com as normas relevantes e é retardador de fogo.



Correto



Errado

Instalação elétrica

Todos os trabalhos de instalação devem ser realizados por uma pessoa competente ou por um electricista qualificado. Antes de ligar a alimentação elétrica, certifique-se de que a tensão da rede corresponde à tensão indicada na placa de características.

Ligação direta

O aparelho deve ser ligado diretamente à rede elétrica por meio de um disjuntor omipolar com um abertura mínima de 3 mm entre os contactos.

O instalador deve certificar-se de que foi feita a ligação elétrica correta e que esta está em conformidade com o esquema de ligações.

O cabo não deve estar dobrado nem comprimido.

Verifique regularmente se a ficha e o cabo de alimentação apresentam danos. Se o cabo de alimentação estiver danificado, deve ser substituído por um cabo ou conjunto especial disponível junto do fabricante ou do seu agente de assistência.

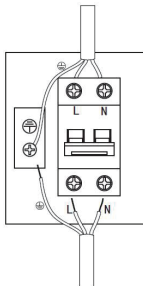
AVISO: Este é um aparelho de Classe I e TEM de ser ligado à terra.

Este aparelho é fornecido com um cabo elétrico de 3 fios de acordo com o seguinte código de cores:

Castanho = L ou Vivo

Azul = N ou Neutro

Verde e amarelo = E ou Terra ⊕



AVISO:



- Por razões de segurança, utilize apenas parafusos de fixação ou de montagem do mesmo tamanho que os recomendados neste manual de instruções.
- A não instalação dos parafusos ou a não fixação do aparelho de acordo com estas instruções pode resultar em riscos elétricos.

Começar a utilizar o seu exaustor

Botão

- 1) Prima o botão de paragem e o motor para.
- 2) Prima o botão de baixa velocidade e o motor funcionará a baixa velocidade.
- 3) Prima o botão do meio e o motor funcionará a uma velocidade média.
- 4) Carregue no botão de alta e o motor funcionará a alta velocidade.
- 5) Prima o botão de luz e as duas luzes acendem-se. Carregue novamente e a luz apagar-se-á.



Parar Baixo Meio Alto Lâmpada

RESOLUÇÃO DE PROBLEMAS

Problema	Causa possível	Solução
A luz acende-se, mas o motor não funciona	Interruptor da ventoinha desligado	Selecione uma posição do interruptor da ventoinha.
	Falha no interruptor da ventoinha	Contactar o centro de assistência.
	Falha do motor	Contactar o centro de assistência.
A luz não funciona, o motor não funciona	Fusíveis da casa queimados/disparados	Reponha/substitua os fusíveis.
	O cabo de alimentação elétrica está solto ou desligado	Volte a colocar o cabo de alimentação elétrica na tomada elétrica. Ligue a tomada elétrica.
Fuga de óleo	A válvula unidirecional e a saída não estão hermeticamente fechadas	Retire a válvula de uma via e sele com vedante.
	Fugas na ligação entre a chaminé e a tampa	Desmonte a chaminé e sele.
As luzes não funcionam	Lâmpadas partidas ou defeituosas	Substitua as lâmpadas de acordo com estas instruções.
Aspiração insuficiente	A distância entre o exaustor e o fogão a gás é demasiado grande	Volte a colocar o exaustor na distância correta.
O exaustor está inclinado	O parafuso de fixação não está suficientemente apertado	Aperte o parafuso de suspensão e coloque-o na horizontal.



NOTA:

Quaisquer reparações elétricas neste aparelho devem estar em conformidade com a legislação local, estatal e federal. Em caso de dúvida, contacte o centro de assistência técnica antes de efetuar qualquer uma das operações acima referidas. Desligue sempre a unidade da fonte de alimentação ao abrir a unidade.

MANUTENÇÃO E LIMPEZA

Atenção:

- Antes de proceder à manutenção ou à limpeza, o exaustor deve ser desligado da rede elétrica. Certifique-se de que o exaustor está desligado na tomada de parede.
- As superfícies externas são suscetíveis a riscos e abrasões, pelo que deve seguir as instruções de limpeza para garantir o melhor resultado possível sem danos.

GERAL

A limpeza e a manutenção devem ser efetuadas com o aparelho frio, especialmente

durante a limpeza. Evite deixar substâncias alcalinas ou ácidas (sumo de limão, vinagre, etc.) nas superfícies.

AÇO INOXIDÁVEL

O aço inoxidável deverá ser limpo regularmente (por exemplo, semanalmente) para garantir uma vida útil longa. Pode utilizar-se um líquido de limpeza específico para aço inoxidável.

NOTA:

Certifique-se de que a limpeza é efetuada ao longo do grão do aço inoxidável para evitar o aparecimento de padrões de riscos cruzados desagradáveis.

SUPERFÍCIE DO PAINEL DE CONTROLO

O painel de controlo embutido pode ser limpo com água morna e sabão. Certifique-se de que o pano está limpo e bem espremido antes de o limpar. Utilize um pano macio e seco para remover qualquer excesso de humidade que tenha ficado após a limpeza.

Importante

Utilize detergentes neutros e evite a utilização de produtos químicos de limpeza agressivos, detergentes domésticos fortes ou produtos que contenham abrasivos, uma vez que isso afetará o aspeto do aparelho e poderá remover qualquer impressão ou trabalho artístico no painel de controlo e anulará a garantia do fabricante.

FILTROS DE METAL PARA GORDURAS

Mergulhe o filtro em água a cerca de 40-50 °C, deite o agente de limpeza, deixe-o de molho durante cerca de 2-3 minutos e, em seguida, escove o filtro com uma escova macia. Não aplique demasiada pressão para não provocar danos.

O filtro pode ser lavado na máquina de lavar louça. Coloque o filtro na máquina de lavar louça, adicione o agente de limpeza e ajuste a temperatura para cerca de 60 °C para a lavagem.

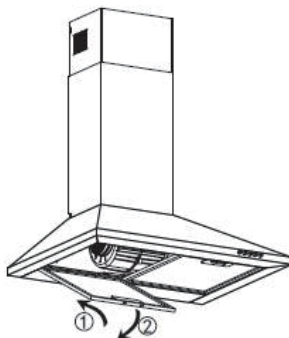
Todos os filtros são feitos de metal, por isso não utilize agentes de limpeza que tenham um efeito corrosivo em produtos metálicos durante a limpeza.



NOTA:

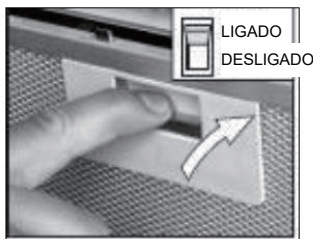
Certifique-se de que a alimentação elétrica está desligada quando limpar o aparelho.

A ordem de desmontagem do filtro é mostrada na figura abaixo:



INSTALAÇÃO DE FILTROS DE METAL PARA GORDURAS

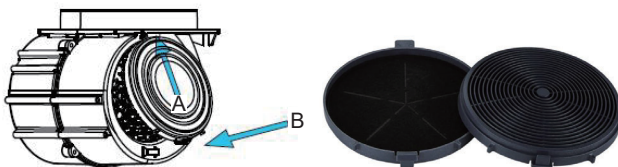
- Para instalar os filtros, siga as quatro etapas seguintes (ver imagem abaixo):
- Insira o filtro nas ranhuras na parte de trás do exaustor.
- Prima o botão no manípulo do filtro.
- Solte o manípulo quando o filtro estiver na posição de repouso.
- Repita a operação para instalar todos os filtros.



FILTRO DE CARVÃO - não incluído no produto

O filtro de carvão ativado pode ser utilizado para reter odores. Normalmente, o filtro de carvão ativado deve ser substituído de três em três ou de seis em seis meses, de acordo com o seu hábito de cozinhar. O procedimento de instalação do filtro de carvão ativado é o seguinte:

- ✧ Coloque o pino do filtro de carvão no orifício retangular do ventilador (conforme a seta A mostrada abaixo)
- ✧ Empurre o outro lado do filtro de carvão na direção da ventoinha para o tornar plano (conforme a seta B apresentada) e, em seguida, pressione o filtro na ventoinha.
- ✧ Se pretender retirar o filtro, prima o fixador do filtro e retire-o rodando-o no sentido contrário ao dos ponteiros do relógio.



NOTA:

- Certifique-se de que o filtro está bem bloqueado. Caso contrário, pode soltar-se e causar perigo.
- Quando o filtro de carvão ativado estiver colocado, a potência de sucção será reduzida.

SUBSTITUIÇÃO DE LÂMPADAS

Importante:



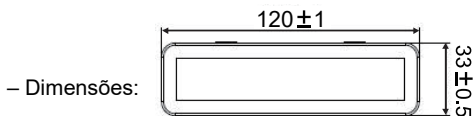
- ✧ A lâmpada deve ser substituída pelo fabricante, pelo seu agente de assistência ou por pessoas com qualificações semelhantes.
- ✧ Desligue sempre a alimentação elétrica antes de efetuar qualquer operação no aparelho. Ao manusear a lâmpada, certifique-se de que esta arrefeceu completamente antes de qualquer contacto direto com as mãos.
- ✧ Ao manusear as lâmpadas, segure-as com um pano ou com luvas para garantir que a transpiração não entra em contacto com a lâmpada, uma vez que isso pode reduzir a vida útil da mesma.

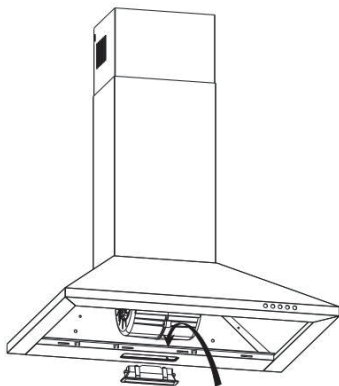
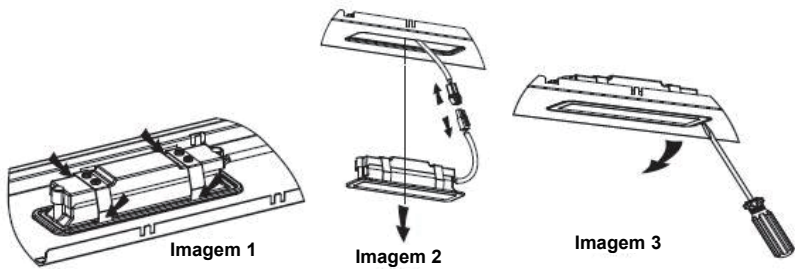
Nota:

- Antes da substituição da lâmpada, certifique-se de que o exaustor pode ser isolado da rede elétrica por meio de uma ficha ou de um interruptor multipolar.
- Proteja-se contra o perigo ao mudar as luzes, por exemplo, usando luvas.


Mudar as luzes:

- Retire o filtro de gordura.
- Caminho 1. Utilize uma ferramenta ou a mão para pressionar a mola de ambos os lados da luz LED para o interior, até que a luz seja pressionada para fora (ver imagem 1). Em seguida, puxe ligeiramente o fio de ligação da luz para fora e desmonte o terminal do fio de ligação da luz. Ver Figura 2.
Modo 2: Utilize uma chave de fendas para premiar a extremidade inferior da luz LED - ver imagem 3 - e depois puxe ligeiramente para fora a luz LED e o fio de ligação da luz. Ver Figura 2.
- Aplique o procedimento inverso para voltar a instalar a luz.
- O código ILCOS D para esta lâmpada é o seguinte: DSS-1.5/65-S-120/33
 - Módulos LED - lâmpada retangular
 - Potência máxima: 1×1,5 W
 - Intervalo de tensões: CC 12V





PROTEÇÃO AMBIENTAL:

	<p>Este produto está marcado com o símbolo da triagem seletiva de resíduos de equipamentos eletrónicos. Isto significa que este produto não deve ser eliminado com os resíduos domésticos, devendo ser apoiado por um sistema de recolha seletiva em conformidade com a Diretiva 2012/19/UE. Este será reciclado ou desmantelado para minimizar o impacto no ambiente, dados que os produtos elétricos e eletrónicos são potencialmente perigosos para o ambiente e para a saúde humana devido à presença de substâncias perigosas. Para mais informações, contacte as autoridades locais ou regionais.</p>
---	---

NOTA:

Abaixo mostramos como reduzir o impacto ambiental total (por exemplo, o consumo de energia) do processo de cozedura).

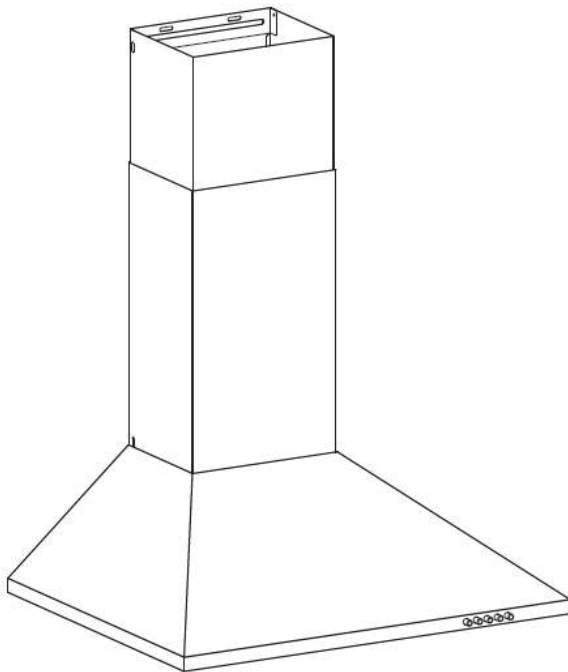
- (1) Instale o exaustor num local adequado onde haja uma ventilação eficaz.
- (2) Limpe regularmente o exaustor de modo a não obstruir as vias de passagem do ar.
- (3) Não se esqueça de desligar a luz do exaustor depois de cozinhar.
- (4) Não se esqueça de desligar o exaustor depois de cozinhar.

INFORMAÇÕES PARA A DESMONTAGEM

Não desmonte o aparelho de uma forma que não esteja indicada no manual de utilização. O aparelho não pode ser desmontado pelo utilizador. No fim da sua vida útil, o aparelho não deve ser eliminado juntamente com o lixo doméstico. Consulte a sua autoridade local ou o seu fornecedor para obter conselhos sobre reciclagem.

Dunstabzugshaube

Bedienungsanleitung




Inhalt

- 1.....Sicherheitsanweisungen
- 2.....Installation
- 3.....Dunstabzugshaube in Betrieb
nehmen
- 4.....Fehlerbehebung
- 5.....Wartung und Reinigung
- 6.....Umweltschutz

SICHERHEITSANWEISUNGEN

Diese Anleitung erklärt die ordnungsgemäße Installation und Verwendung Ihrer Dunstabzugshaube. Bitte lesen Sie sie vor der Verwendung sorgfältig durch, auch wenn Sie mit dem Produkt vertraut sind. Die Anleitung sollte zum späteren Nachschlagen an einem sicheren Ort aufbewahrt werden.

Niemals tun:

- Versuchen Sie nicht, die Dunstabzugshaube ohne die Fettfilter zu verwenden oder wenn die Filter übermäßig fettig sind!
 - Nicht über einem Herd mit einem hohen Grill installieren.
 - Lassen Sie Pfannen während des Gebrauchs nie unbeaufsichtigt, da sich überhitzte Fette oder Öle entzünden können.
- 
- Lassen Sie nie offene Flammen unter der Dunstabzugshaube.
 - Falls die Dunstabzugshaube beschädigt ist, verwenden Sie sie nicht.
 - Flambieren Sie nicht unter der Dunstabzugshaube.
 - **VORSICHT:** Zugängliche Teile können bei der Verwendung mit

Kochgeräten heiß werden.

- Der Mindestabstand zwischen der Aufstellfläche für die Kochgefäße auf dem Kochfeld und dem untersten Teil der Dunstabzugshaube. (Wenn sich die Dunstabzugshaube über einem Gasgerät befindet, muss dieser Abstand mindestens 65 cm betragen)
- Die Abluft darf nicht in einen Schornstein abgeführt werden, der auch zur Ableitung der Abgase von Öfen oder Brennern mit aller Art von Brennstoffen dient. Dunstabzugshauben und andere Kochdunstabzüge können den sicheren Betrieb von Geräten, die mit Gas oder anderen Brennstoffen betrieben werden (auch in anderen Räumen), durch Rückströmung von Verbrennungsgasen

beeinträchtigen. Diese Gase können zu einer Kohlenmonoxidvergiftung führen. Nach der Installation einer Dunstabzugshaube oder eines anderen Kochdunstabzugs sollte der Betrieb von Gasgeräten mit offenem Abzug von einer sachkundigen Person geprüft werden, um sicherzustellen, dass es nicht zu einem Rückfluss von Verbrennungsgasen kommt.



Immer tun:

- Wichtig! Trennen Sie bei der Installation und bei Wartungsarbeiten, wie z. B. dem Auswechseln von Glühbirnen, immer die Stromzufuhr vom Netz.

- Die Dunstabzugshaube muss in Übereinstimmung mit der Installationsanleitung installiert und alle Maße beachtet werden.
- Alle Installationsarbeiten müssen von einer sachkundigen Person oder einem qualifizierten Elektriker durchgeführt werden.
- Bitte entsorgen Sie das Verpackungsmaterial sorgfältig. Kinder sind besonders gefährdet.
- Achten Sie auf scharfe Kanten im Inneren der Dunstabzugshaube, insbesondere bei der Installation und Reinigung.
- Stellen Sie sicher, dass das Rohr nicht schärfer als 90 Grad gebogen ist, da dies die

Effizienz der Dunstabzugshaube beeinträchtigt.

- **Warnung:** Wenn Sie die Schrauben oder die Befestigungsvorrichtung nicht gemäß dieser Anleitung anbringen, kann dies zu elektrischen Gefahren führen
- **Warnung!** Bevor Sie Zugang zu den Klemmen haben, müssen alle Stromkreise unterbrochen werden.
- Ist die Nennspannung der Lampe geringer als die Nennspannung des Geräts, muss die Nennspannung der Lampe ebenfalls auf oder in der Nähe der Lampenfassung angegeben sein.

Immer tun:

- Setzen Sie immer einen Deckel auf Töpfe und Pfannen, wenn Sie

auf einem Gasherd kochen.

- Im Absaugmodus wird die Luft im Raum von der Dunstabzugshaube abgesaugt. Stellen Sie sicher, dass die Belüftungsmaßnahmen eingehalten werden. Die Dunstabzugshaube entfernt Gerüche aus dem Raum, nicht aber den Dampf.
- Wird die Dunstabzugshaube gleichzeitig mit Geräten verwendet, die mit Gas oder anderen Brennstoffen betrieben werden, muss eine ausreichende Belüftung des Raumes gewährleistet sein.
- Die Dunstabzugshaube ist nur für den Hausgebrauch bestimmt.



- Wenn das Netzkabel beschädigt wird, muss es vom Hersteller, seinem Kundendienst oder einer ähnlich qualifizierten Person ausgetauscht werden, um Gefahren zu vermeiden.
- Dieses Gerät ist nicht für den Gebrauch durch Personen (einschließlich Kinder) mit eingeschränkten körperlichen, sensorischen oder geistigen Fähigkeiten oder einem Mangel an Erfahrung und Wissen bestimmt, es sei denn, sie werden von einer für ihre Sicherheit verantwortlichen Person beaufsichtigt oder in die Benutzung des Geräts eingewiesen
- Kinder sind zu beaufsichtigen, damit sie nicht mit dem Gerät spielen.

- Dieses Gerät kann von Kindern ab 8 Jahren benutzt werden bzw. von Personen mit verringerten körperlichen, sensorischen oder geistigen Fähigkeiten oder mangelnden Erfahrungen und Kenntnissen, wenn sie unter Aufsicht stehen oder Anweisungen erhalten haben, wie sie das Gerät gefahrlos verwenden können, und die damit verbundenen Gefahren verstehen. Kinder dürfen nicht mit dem Gerät spielen. Kinder dürfen das Gerät nicht ohne Aufsicht reinigen und warten.



Immer tun:

- **Vorsicht:** Das Gerät und seine zugänglichen Teile

können sich während des Betriebs erhitzen. Achten Sie darauf, dass Sie die Heizelemente nicht berühren. Kinder unter 8 Jahren sollten sich fernhalten, es sei denn, sie stehen unter ständiger Aufsicht.

- Wenn die Reinigung nicht gemäß den Anweisungen durchgeführt wird, besteht Brandgefahr.
- Vorschriften über die Ableitung von Luft müssen eingehalten werden.
- Reinigen Sie Ihr Gerät regelmäßig, indem Sie die im Kapitel **WARTUNG** beschriebene Methode anwenden.
- Verwenden Sie aus Sicherheitsgründen nur Befestigungs- oder Montageschrauben in der Größe, die in dieser Bedienungsanleitung empfohlen wird.

- Nähere Informationen über die Methode und Häufigkeit der Reinigung finden Sie im Abschnitt **Wartung und Reinigung** in der **Gebrauchsanweisung**.
- Informationen darüber, wie das Gerät an der Halterung zu befestigen ist, finden Sie im Abschnitt **Betrieb** **Installationsverfahren** in diesem Handbuch.
- Kinder dürfen das Gerät nicht ohne Aufsicht reinigen und warten.
- Bei gleichzeitigem Betrieb der Dunstabzugshaube und Geräten, die mit

anderer Energie als Strom versorgt werden, darf der Unterdruck im Raum 4 Pa ($4 \times 10^{-5} \text{ Bar}$) nicht überschreiten.

- **WARNUNG:**
Brandgefahr: Lagern Sie keine Gegenstände auf den Kochflächen.
- Ein Dampfreiniger darf nicht verwendet werden.
- Versuchen Sie **NIEMALS**, ein Feuer mit Wasser zu löschen, sondern stellen Sie das Gerät ab und decken Sie die Flamme dann z. B. mit einem Deckel oder einer Löschdecke ab.

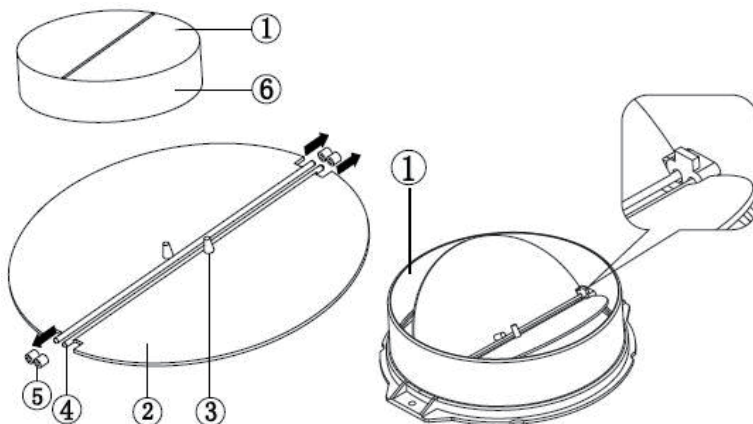
INSTALLATION (ENTLÜFTUNG AUSSEN)

MONTAGE DER V-KLAPPE

Sollte die Dunstabzugshaube nicht über eine montierte V-Klappe 1 verfügen, müssen Sie die Halfteile an ihrem Gehäuse anbringen. Die Abbildungen zeigen nur ein Beispiel für die Montage der V-Klappe, da der Auslass je nach Modell und Konfiguration variieren kann.

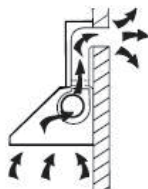
Um die V-Klappe 1 zu montieren, sollten Sie:

- Zwei Halfteile 2 in das Gehäuse 6 montieren;
- der Pin 3 sollte nach oben ausgerichtet sein;
- die Achse 4 sollte in die Löcher 5 am Körper eingeführt werden;
- alle Vorgänge für den 2. Halfteil wiederholen.



INSTALLATION

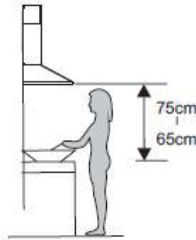
Wenn Sie einen Abzug nach außen haben, kann Ihre Dunstabzugshaube wie unten abgebildet mit einem Abzugskanal (Emaille, Aluminium, flexibles Rohr oder nicht brennbares Material mit einem Innendurchmesser von 150 mm) angeschlossen werden



1. Schalten Sie das Gerät vor der Installation aus.

2. Die Dunstabzugshaube muss in einem Abstand von 65 bis 75 cm über der Kochfläche angebracht werden, um die bestmögliche Leistung zu erzielen.

Abb. 1



3. Bohren Sie an geeigneter Stelle 5 $\varnothing 8$ mm große Löcher, um den Haken und die Rauchfanghalterung aufzunehmen, sobald die Installationshöhe festgelegt ist, und halten Sie sie in einer Linie. Die fixierte Position der inneren Rauchfanghalterung ist der höchste Punkt des Rauchfangs. Siehe Abb. 2.
4. Schrauben Sie den Haken mit den 3 mitgelieferten Schrauben (4 x 40 mm) und Dübeln an der Wand fest und befestigen Sie dann die Rauchfanghalterung mit 2 ST4*40 mm Schrauben. Siehe Abb. 2.

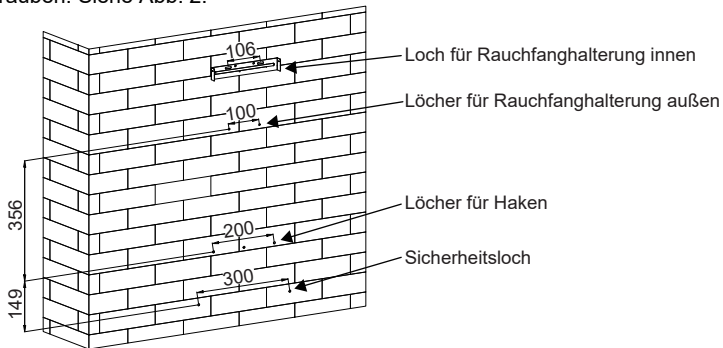


Abb. 2

5. Befestigen Sie den Luftauslass mit 2 Schrauben an der Dunstabzugshaube und das Erweiterungsrohr mit einem Kabelbinder. Siehe Abb. 3 **Hinweis: Das Erweiterungsrohr ist nicht im Lieferumfang enthalten.**

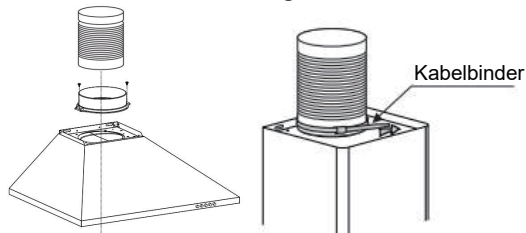


Abb. 3

6. Befestigen Sie die Rauchfanghalterung außen am Rauchfang und stellen Sie sicher, dass der Rauchfang innen frei in der Höhe verstellt werden kann (siehe Bild 4).

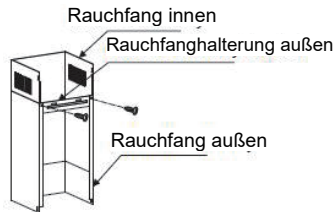


Abb. 4

7. Hängen Sie das Gerät an den Haken und befestigen Sie es mit den 2 Stück Sicherheitsschrauben (4 mm x 30 mm). Hinweis: Die beiden Sicherheitsöffnungen sind auf der Rückseite des Gehäuses angebracht und haben einen Durchmesser von 6 mm. Siehe Abb. 5.

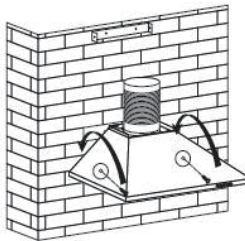


Abb. 5

8. Passen Sie die Höhe des Rauchfangs an die Position der Rauchfanghalterung an und schrauben Sie sie fest (siehe Bild 6).

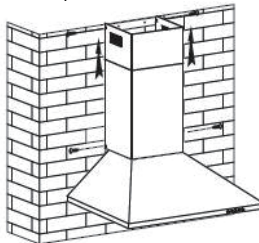


Abb. 6

9. Vor dem Gebrauch lesen Sie bitte alle Anweisungen und vergewissern Sie sich, dass die Nennleistung der Dunstabzugshaube mit der Nennleistung des Stromnetzes übereinstimmt.

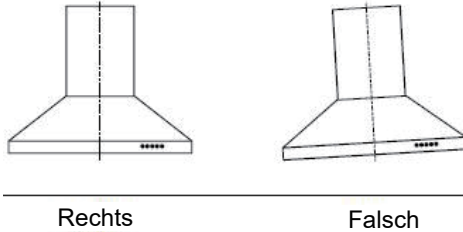
HINWEISE ZUR INSTALLATION DER ABLUFTKANÄLE

Die folgenden Regeln müssen streng befolgt werden, um eine optimale Luftabsaugung zu erreichen:

- Halten Sie das Erweiterungsrohr kurz und gerade.
- Verringern Sie die Größe nicht und schränken Sie das Erweiterungsrohr nicht ein.
- Wenn Sie das Erweiterungsrohr verwenden, verlegen Sie das Rohr immer gestrafft,

um den Druckverlust zu minimieren.

- Bei Nichtbeachtung dieser grundlegenden Hinweise wird die Leistung der Dunstabzugshaube verringert und der Geräuschpegel erhöht.
- Alle Installationsarbeiten müssen von einem qualifizierten Elektriker oder einer kompetenten Person durchgeführt werden.
- Schließen Sie das Rohrsystem der Dunstabzugshaube nicht an ein bestehendes Lüftungssystem an, das für ein anderes Gerät verwendet wird, wie z. B. ein Wärmerohr, ein Gasrohr oder ein Heißwindrohr.
- Der Krümmungswinkel des Erweiterungsrohrs sollte nicht weniger als 120° betragen. Sie müssen das Rohr horizontal ausrichten, oder alternativ sollte das Rohr vom Ausgangspunkt aus nach oben und zu einer Außenwand geführt werden.
- Stellen Sie nach der Installation sicher, dass die Dunstabzugshaube waagrecht ausgerichtet ist, um Fettansammlungen an einem Ende zu vermeiden.
- Stellen Sie sicher, dass das für die Installation gewählte Erweiterungsrohr den einschlägigen Normen entspricht und feuerhemmend ist.



Elektrische Installation

Alle Installationsarbeiten müssen von einer sachkundigen Person oder einem qualifizierten Elektriker durchgeführt werden. Vergewissern Sie sich vor dem Anschluss an das Stromnetz, dass die Netzspannung mit der auf dem Typenschild angegebenen Spannung übereinstimmt.

Direkte Verbindung

Das Gerät muss über einen omnipolaren Schutzschalter mit einer Mindestöffnung von 3 mm zwischen den Kontakten direkt an das Stromnetz angeschlossen werden.

Der Installateur muss sich vergewissern, dass der elektrische Anschluss korrekt und in Übereinstimmung mit dem Schaltplan vorgenommen wurde.

Das Kabel darf nicht geknickt oder gestaucht werden.

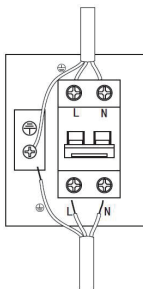
Überprüfen Sie regelmäßig den Netzstecker und das Netzkabel auf Schäden. Wenn das Netzkabel beschädigt ist, muss es durch ein spezielles Kabel oder eine spezielle Baugruppe ersetzt werden, die beim Hersteller oder seinem Kundendienst erhältlich ist.


WARNUNG: Dies ist ein Gerät der Klasse I und MUSS geerdet werden
Dieses Gerät wird mit einem 3-adrigen Netzkabel geliefert, das wie folgt gefärbt ist:

Braun = L oder Live

Blau = N oder Neutral

Grün und Gelb = E oder Erde ⊕

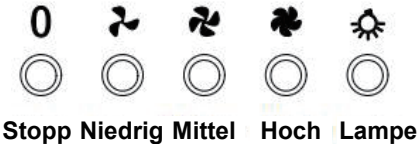


<p>WARNUNG:</p> 	<ul style="list-style-type: none"> ➤ Bitte verwenden Sie aus Sicherheitsgründen nur Befestigungs- oder Montageschrauben in der Größe, die in dieser Bedienungsanleitung empfohlen wird. ➤ Wenn Sie die Schrauben oder die Befestigungsvorrichtung nicht gemäß dieser Anleitung anbringen, kann dies zu elektrischen Gefahren führen.
--	--

Dunstabzugshaube in Betrieb nehmen

Druckknopf

- 1) Drücken Sie die Stoptaste, und der Motor hält an.
- 2) Drücken Sie die Niedrig-Taste, damit der Motor mit niedriger Drehzahl läuft.
- 3) Drücken Sie die Mittel-Taste, und der Motor läuft mit mittlerer Geschwindigkeit.
- 4) Drücken Sie die Hoch-Taste, und der Motor läuft mit hoher Geschwindigkeit.
- 5) Drücken Sie die Lichttaste und die beiden Lichter leuchten auf. Drücken Sie die Taste erneut und das Licht erlischt.



FEHLERBEHEBUNG

Störung	Mögliche Ursache	Problemlösung
Licht an, aber der Motor funktioniert nicht	Lüfterschalter ausgeschaltet	Wählen Sie die Position des Lüfterschalters.
	Lüfterschalter ausgefallen	Kontaktieren Sie das Servicecenter.
	Motor ausgefallen	Kontaktieren Sie das Servicecenter.
Licht funktioniert nicht, Motor funktioniert nicht	Haussicherungen durchgebrannt	Sicherungen zurücksetzen/ersetzen.
	Das Netzkabel ist lose oder nicht angeschlossen	Schließen Sie das Netzkabel wieder an die Steckdose an. Schalten Sie die Steckdose ein.
Ölaustritt	Rückschlagventil und Auslass sind nicht dicht verschlossen	Nehmen Sie das Einwegventil ab und versiegeln Sie es mit Dichtungsmittel.
	Leckage an der Verbindung von Schornstein und Abdeckung	Schornstein abnehmen und abdichten.
Lichter funktionieren nicht	Kaputte oder defekte Glühbirnen	Ersetzen Sie die Glühbirnen gemäß dieser Anleitung.
Unzureichende Absaugung	Der Abstand zwischen der Dunstabzugshaube und der Gasplatte ist zu groß	Bringen Sie die Dunstabzugshaube wieder mit dem richtigen Abstand an.
Die Dunstabzugshaube neigt sich	Die Befestigungsschraube ist nicht fest genug angezogen	Ziehen Sie die Aufhängeschraube fest und stellen Sie sie waagrecht.



HINWEIS:

Alle elektrischen Reparaturen an diesem Gerät müssen den örtlichen, staatlichen und bundesstaatlichen Gesetzen entsprechen. Bitte wenden Sie sich im Zweifelsfall an das Servicecenter, bevor Sie die oben genannten Maßnahmen durchführen. Trennen Sie das Gerät immer von der Stromquelle, wenn Sie es öffnen.

PFLEGE UND REINIGUNG

Vorsicht:

- Vor der Wartung oder Reinigung sollte die Dunstabzugshaube vom Stromnetz getrennt werden. Vergewissern Sie sich, dass die Dunstabzugshaube an der Steckdose ausgeschaltet ist.
- Äußere Oberflächen sind anfällig für Kratzer und Abschürfungen. Befolgen Sie daher bitte die Reinigungsanweisungen, um das bestmögliche Ergebnis ohne Schäden zu erzielen.

ALLGEMEINES

Die Reinigung und Wartung sollte bei kaltem Gerät erfolgen, insbesondere bei der Reinigung. Vermeiden Sie es, alkalische oder saure Substanzen (Zitronensaft, Essig usw.) auf den Oberflächen zu hinterlassen.

EDELSTAHL

Um eine lange Lebensdauer zu gewährleisten, muss der Edelstahl regelmäßig (z. B. wöchentlich) gereinigt und mit einem sauberen, weichen Tuch abgetrocknet werden. Es kann eine spezielle Reinigungsflüssigkeit für Edelstahl verwendet werden.

HINWEIS:

Achten Sie darauf, dass Sie mit der Maserung des Edelstahls wischen, damit keine unschönen, kreuz und quer verlaufenden Kratzspuren entstehen.

BEDIENFELDOBERFLÄCHE

Das eingelegte Bedienfeld kann mit warmer Seifenlauge gereinigt werden. Achten Sie darauf, dass das Tuch vor der Reinigung sauber und gut ausgewrungen ist. Verwenden Sie ein trockenes, weiches Tuch, um überschüssige Feuchtigkeit nach der Reinigung zu entfernen.

Wichtig

Verwenden Sie neutrale Reinigungsmittel und keine scharfen Reinigungskemikalien, starke Haushaltsreiniger oder Produkte, die Scheuermittel enthalten, da dies das Aussehen des Geräts beeinträchtigt und möglicherweise Aufdrucke auf dem Bedienfeld entfernt und die Herstellergarantie erlischt.

FETTSIEBFILTER

Tauchen Sie den Filter in ca. 40-50°C warmes Wasser, geben Sie das Reinigungsmittel hinein und lassen Sie ihn ca. 2-3 Minuten einweichen. Üben Sie nicht zu viel Druck aus, um eine Beschädigung zu vermeiden.

Der Filter kann in der Spülmaschine gewaschen werden. Geben Sie den Filter in die Spülmaschine, fügen Sie Reinigungsmittel hinzu und stellen Sie die Temperatur für den Waschvorgang auf etwa 60°C ein.

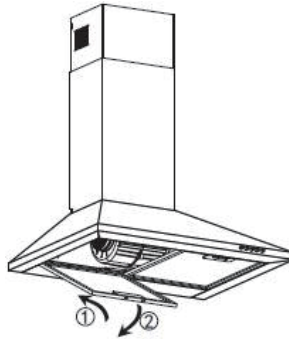
Alle Filter sind aus Metall, bitte verwenden Sie zur Reinigung keine Reinigungsmittel, die eine korrosive Wirkung auf Metallprodukte haben.



HINWEIS:

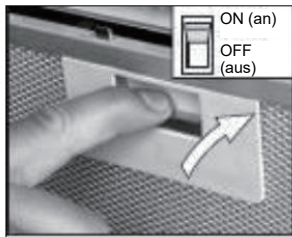
Vergewissern Sie sich, dass der Strom ausgeschaltet ist, wenn Sie das Gerät reinigen.

Die Reihenfolge der Demontage des Filters ist in der folgenden Abbildung dargestellt:



EINBAU VON FETTSIEBFILTERN

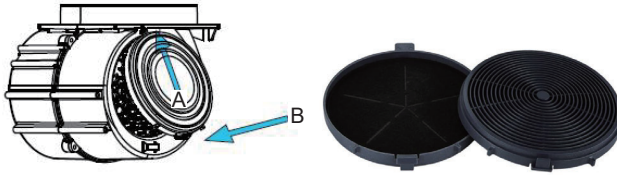
- Um Filter zu installieren, führen Sie die folgenden vier Schritte aus (Siehe Abbildung unten):
- Setzen Sie den Filter in die Schlitze an der Rückseite der Haube ein.
- Drücken Sie den Knopf am Griff des Filters.
- Lassen Sie den Griff los, sobald der Filter in einer Ruheposition sitzt.
- Wiederholen Sie den Vorgang, um alle Filter zu installieren.



KARBONFILTER - nicht im Produkt enthalten

Aktivkohlefilter können zum Einfangen von Gerüchen verwendet werden. In der Regel sollte der Aktivkohlefilter je nach Ihren Kochgewohnheiten alle drei oder sechs Monate gewechselt werden. Die Installation des Aktivkohlefilters wird wie folgt durchgeführt.


- ✧ Stecken Sie den Stift des Kohlefilters in das rechteckige Loch des Lüfters (siehe Pfeil A unten)
- ✧ Drücken Sie die andere Seite des Kohlefilters in Richtung des Lüfters, um ihn flach zu machen (siehe Pfeil B), und drücken Sie dann den Filter in das Gebläse.
- ✧ Wenn Sie den Filter herausnehmen möchten, drücken Sie auf den Verschluss des Filters und entfernen ihn durch Drehen gegen den Uhrzeigersinn.



HINWEIS:

- Vergewissern Sie sich, dass der Filter sicher verriegelt ist. Andernfalls würde sie sich lösen und eine Gefahr darstellen.
- Wenn der Aktivkohlefilter angebracht ist, wird die Saugleistung verringert.

GLÜHBIRNENWECHSEL

<p>Wichtig:</p> 	<ul style="list-style-type: none"> ✧ Die Glühbirne muss vom Hersteller, seinem Kundendienst oder einer ähnlich qualifizierten Person ausgetauscht werden. ✧ Schalten Sie immer die Stromzufuhr ab, bevor Sie Arbeiten am Gerät durchführen. Achten Sie beim Umgang mit der Glühbirne darauf, dass sie vor dem direkten Kontakt mit den Händen vollständig abgekühlt ist. ✧ Halten Sie die Glühbirnen mit einem Tuch oder Handschuhen fest, um sicherzustellen, dass der Schweiß nicht mit der Birne in Berührung kommt, da dies die Lebensdauer der Birne verkürzen kann.
--	--

Hinweis:

- Stellen Sie vor dem Austausch der Leuchte sicher, dass die Dunstabzugshaube durch einen Stecker oder einen allpoligen Schalter vom Stromnetz getrennt werden kann.
- Schützen Sie sich vor Gefahren beim Birnenwechsel, z. B. durch das Tragen von Handschuhen.

Austausch der Lampen:

- Entfernen Sie den Fettfilter.
- Weg 1: Verwenden Sie ein Werkzeug oder die Hand, um den Federsplitter an beiden Seiten der LED-Leuchte nach innen zu drücken, bis die Leuchte herausgedrückt wird, siehe Abb. 1. Ziehen Sie dann den Anschlussdraht der Leuchte leicht heraus und lösen Sie die Klemme des Anschlussdrahtes. Siehe Abb. 2.
Weg 2: Verwenden Sie einen geraden Schraubendreher, um die Unterkante der LED-Leuchte aufzuhebeln (siehe Abb. 3) und ziehen Sie dann die LED-Leuchte und das Anschlusskabel leicht heraus. Siehe Abb. 2.
- Gehen Sie beim Einbau der Rückleuchte in umgekehrter Reihenfolge vor.
- ILCOS D-Code für diese Lampe ist: DSS-1.5/65-S-120/33
- LED-Module -rechteckige Lampe
- Maximale Wattzahl: 1×1,5 W

– Spannungsbereich: 12V GLEICHSTROM

– Maße:

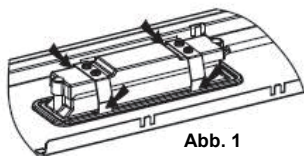
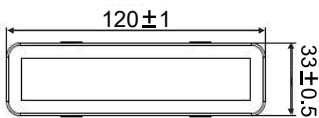


Abb. 1



Abb. 2

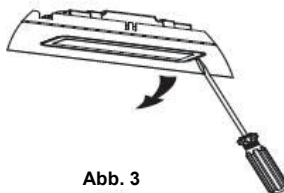
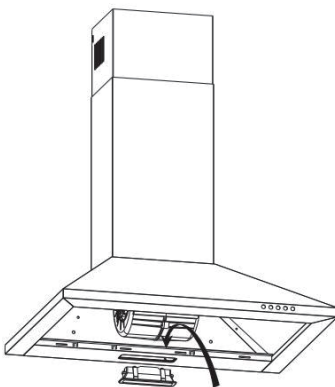


Abb. 3



UMWELTSCHUTZ:



Dieses Produkt ist mit dem Symbol für die getrennte Sammlung von Elektronik-Altgeräten gekennzeichnet. Das bedeutet, dass dieses Produkt nicht über den Hausmüll entsorgt werden darf, sondern einem System der getrennten Sammlung gemäß der Richtlinie 2012/19/EU zugeführt werden muss. Anschließend wird es recycelt oder zerlegt, um die Auswirkungen auf die Umwelt zu minimieren. Elektrische und elektronische Produkte sind aufgrund des Vorhandenseins gefährlicher Stoffe potenziell gefährlich für die Umwelt und die menschliche Gesundheit. Für weitere Informationen wenden Sie sich bitte an Ihre lokalen oder regionalen Behörden.

HINWEIS:

Im Folgenden wird aufgezeigt, wie die Gesamtweltbelastung (z. B. der Energieverbrauch) durch den Kochvorgang verringert werden kann.)

- (1) Installieren Sie die Dunstabzugshaube an einem geeigneten Ort, der eine gute Belüftung ermöglicht.
- (2) Reinigen Sie die Dunstabzugshaube regelmäßig, um den Luftweg nicht zu blockieren.
- (3) Denken Sie daran, das Licht der Dunstabzugshaube nach dem Kochen auszuschalten.
- (4) Denken Sie daran, die Dunstabzugshaube nach dem Kochen auszuschalten.

INFORMATIONEN ZUR ZERLEGUNG

Zerlegen Sie das Gerät nicht auf eine Art und Weise, die nicht in der Gebrauchsanweisung beschrieben ist. Das Gerät konnte vom Benutzer nicht zerlegt werden. Am Ende seiner Nutzungsdauer darf das Gerät nicht als Hausmüll entsorgt werden. Erkundigen Sie sich bei Ihrer örtlichen Behörde oder Ihrem Händler nach Ratschlägen zum Recycling.

Apelson

www.apelson.com

CNA
group

CATA ELECTRODOMÉSTICOS, S.L.U.

Oficinas: c/ Anabel Segura, 11, Edif. A, 3a pl. 28108. Alcobendas. Madrid. España

Fábrica: c/ del Ter 2, Apdo. 9. 08570. Torelló. Barcelona. España

T . +34 938 594 100 - Fax +34 938 594 101

www.cnagroup.es - cna@cnagroup.es

Atención al Cliente: 902 410 450 / +34 938 521 818 - info@cnagroup.es

International SAT - www.cnagroup.es/warranty

